



COMAR

FILTRATION CATALOGUE



THE ONLY SOURCE OF KNOWLEDGE IS EXPERIENCE
ALBERT EINSTEIN

Albert Einstein



WELCOME TO COMAR FLUID POWER

No other Single Source Hydraulics supplier offers the breadth of products and services backed up by expert hydraulic knowledge.

Sustained growth since 1978 has seen us build on our successes and helped us to evolve into a multi-disciplined operation. Capable of servicing all of our customer's diverse requirements across the UK and Worldwide. From our base in Wolverhampton we can offer a wide range services catering for all your hydraulic and pneumatic requirements.

Leading The Way On Price, Delivery and Service.



MEFILTRI Index

Contents		Flow rates	Pressure	Page
Breathers		Up to 3000 L/min	N/A	2
Suction Filters		Up to 900 L/min	N/A	4
Spin-On filters		Up to 300 L/min	Up to 35 bar	7
Tank Mounted Filters		Up to 500 L/min	Up to 10 bar	13
In-Line Return Filters		Up to 2400 L/min	Up to 60 bar	19
Pressure Filters		Up to 475 L/min	Up to 420 bar	23
CETOP Mount Filters		Up to 31 L/min	Up to 320 bar	31
Indicators		Matching filter housing flow rates	Up to 420 bar	33
Particle Counters		Up to 400 ml/min	Up to 400 bar	37
Will Fit Elements		Hydac Compatible Range		39

Note: All flow rates are based on 30 cst viscosity at 40°C

Content is subject to change without notice. Please refer to our website for the most current product information.
All filter housings are supplied **without** elements or indicators. Please order housings, elements and indicators as separate components.



MEFILTRI[®] BREATHERS

SCS-050/100 Series



Features

- Removes airborne and environmental contamination.
- Cost effective breather systems.
- Flange mounted standpipe utilises replaceable Spin-On Cans for quick and easy replacement.

Applications

- All hydraulic systems in contaminated areas.

Performance

Flow Rating	Up to 1415 L/min
Temperature Range	- 25 C to + 110 C
Filtration	3 or 10 micron
Construction	Steel
Fluid Compatibility	Mineral & synthetic oils, water based emulsions

Standpipe Technical Specifications

Part Number	Flowrate (L/min)	Port Size
SCS050FG1	550	G1 = 3/4 BSP
SCS050FG2	550	G2 = 1" UNF
SCS100FG2	1415	G2 = 1-1/2" UNF

Spin-On Can Technical Specifications

Part Number	Flow Rate (L/min)	Element Type	Suits Filter Housings
CG050A03A	515	3u ABS Microfibre	SCS050FG2
CG050P10A	550	10u Nom Paper	SCS050FG2
CS050A03A	515	3u ABS Microfibre	SCS050FG1
CS050A10A	530	10u ABS Microfibre	SCS050FG1
CS050P10A	550	10u Nom Paper	SCS050FG1
CG100A03A	1300	3u ABS Microfibre	SCS100FG2
CG100P10A	1415	10u Nom Paper	SCS100FG2

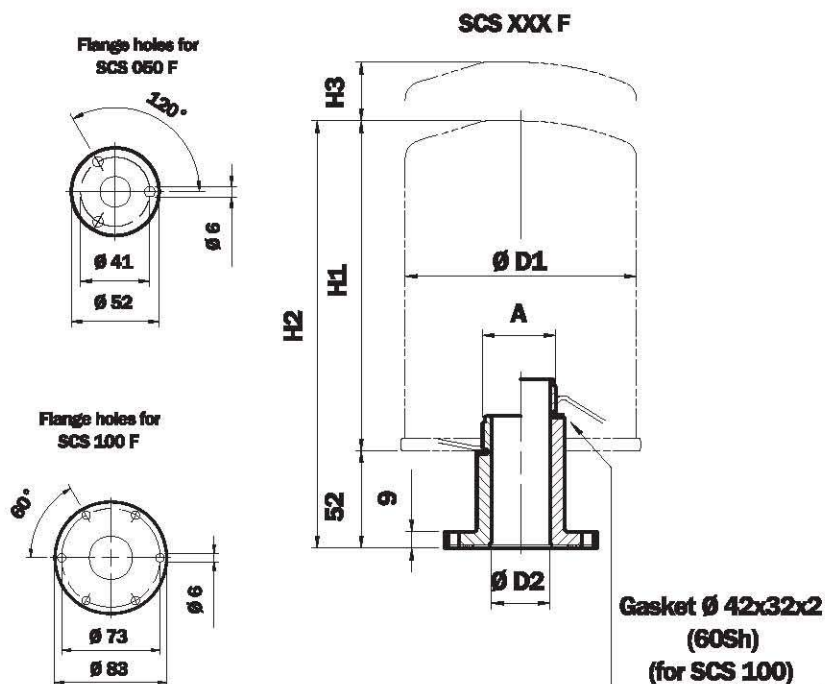
Dimensions

Dimensions SCS - CS - CG

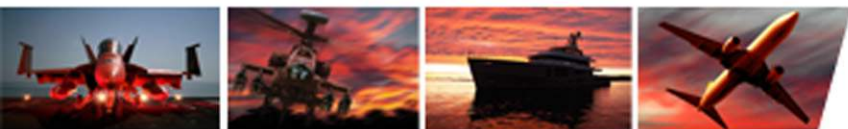
Type	D1	H1	H2	Weight (Kg)
CS/CG050	96	143	195	0,73
CG100	129	180	232	1,3

Dimensions SCS Riser

Type	A	D2	D3	Weight (Kg)
SCS050...G1	G 3/4"	18	32	0,200
SCS050...G2	1" 12 UN	18	32	0,265
SCS100...G1	1-1/2" 16 UN	18	32	0,645



Content is subject to change without notice. Please refer to our website for the most current product information. All filter housings are supplied **without** elements or indicators. Please order housings, elements and indicators as separate components.



MEFILTRI BREATHERS

SAP-115 Series



Features

- Removes airborne and environmental contamination.
- Replaceable 3 micron absolute rated element.
- Anti-slosh feature stops oil from being forced out of the breather in high flow systems or in the event of surges of oil back to the reservoir.

- Built in pop-up style clogging indicator provides visual indication of when to change element.

Applications

- High flow hydraulic systems in heavily contaminated areas.

Performance

Flow Rating	3000 L/min
Temperature Range	- 25 C to + 110 C
Filtration	3 micron
Construction	Nylon
Fluid Compatibility	Mineral & synthetic oils, water based emulsions
Indicators	Built in Indicator Set pressure = 0.062 bar

Filter Technical Specifications

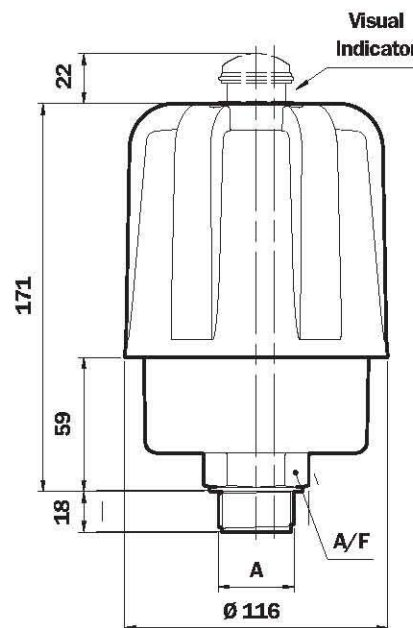
Part Number	Flow Rate (L/min)	Port Size	Seals	Options	Indicator
SAP1152CA03A1B	3000	C = 1-1/2" BSP	A = Buna	1 = Anti slosh feature	B = Visual indicator

Element Technical Specifications

Part Number	Micron	Element Media
A1152A03	3	A = Inorganic Microfibre

Dimensions

Connection	A	A/F (mm)
A	G 1-1/2"	55



Content is subject to change without notice. Please refer to our website for the most current product information. All filter housings are supplied **without** elements or indicators. Please order housings, elements and indicators as separate components.



MP FILTRI[®] SUCTION FILTERS

STR Series



Features

- Cleanable wire mesh.
- Economically priced industry standard suction strainer.

Applications

- Used in the suction line and submerged in the reservoir.
- Suitable for applications where it is necessary to protect pumps.

Performance

Flow Rating	Up to 900 L/min
Bypass Pressure	30 kpa +/- 10%
Temperature Range	- 25 C to + 110 C
Filtration	90 micron
Construction	Nylon Caps
Filter Media	Wire Mesh

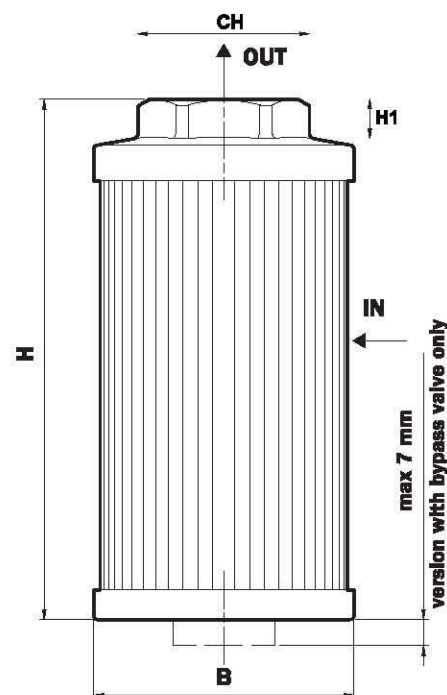
Filter Technical Specifications

Part Number	Port Size	Micron Rating	Flow Rate (L/min)	Weight (Kg)
STR0502SG1M90	3/8" BSP	90	24	0.16
STR0701SG1M90	1/2" BSP		32	0.22
STR0702SG1M90	3/4" BSP		75	0.22
STR0704SG1M90	1" BSP		150	0.3
STR1001SG1M90	1-1/4" BSP		180	0.47
STR1003SG1M90	1-1/2" BSP		250	0.68
STR1004SG1M90	2" BSP		490	0.68
STR1005SG1M90	1-1/2" BSP		250	0.47
STR1401SG1M90	1-1/2" BSP		250	0.84
STR1402SG1M90	2" BSP		490	0.84
STR1403SG1M90	2" BSP		490	1.25
STR1404SG1M90	2-1/2" BSP		860	1.25
STR1405SG1M90	3" BSP		900	1.25
STR1406SG1M90	3" BSP		900	1.3

Dimensions

Part Number	B (mm)	H (mm)	H1 (mm)	CH (mm)
STR0502SG1M90	50	85	10	30
STR0701SG1M90	70	95	10	41
STR0702SG1M90	70	95	10	41
STR0704SG1M90	70	145	10	41
STR1001SG1M90	99	142	15	69
STR1003SG1M90	99	232	15	69
STR1004SG1M90	99	232	15	69
STR1005SG1M90	99	142	15	69
STR1401SG1M90	136	170	20	101
STR1402SG1M90	136	170	20	101
STR1403SG1M90	136	270	20	101
STR1404SG1M90	136	270	20	101
STR1405SG1M250	136	270	20	101
STR1405SG1M90	136	270	20	101
STR1406SG1M90	136	330	20	101

NB: Flow rates are based on oil with 30cst viscosity and pressure drop of filter assembly of 0.08 bar.



Content is subject to change without notice. Please refer to our website for the most current product information.

All filter housings are supplied **without** elements or indicators. Please order housings, elements and indicators as separate components.



MP FILTRI SUCCTION FILTERS

SF2-250 Series



Features

- Semi-submerged positive head suction filter.
- New design allows the filter element to be replaced without having to drain the oil from the reservoir.
- Unscrewing the filter cover operates a closing valve within the filter to prevent oil loss.
- Integral magnet column helps prevent metal particles from entering the pump.

- Accepts either visual or electrical logging indicators.

Applications

- Suitable for mobile and industrial machinery.
- Any hydraulic system where pump protection is required i.e. Hydrostatic circuits.

Performance

Flow Rating	Up to 160 L/min
Bypass Pressure	30 kpa +/- 10%
Temperature Range	- 25 C to + 110 C
Filtration	90 micron
Construction	Aluminium
Fluid Compatibility	Mineral & synthetic oils, water based emulsions
Indicators	V, V0 & E1

Filter Technical Specifications

Part Number	Flow Rate (L/min)	Seals	Port Size	Options	Indicator
SF2250AF1QT	160	A = Buna	F1 = 1-1/2" SAE Flange	Q = W/O bypass, with magnet	T = Plug
SF2250AG1QT	160	A = Buna	G1 = 1-1/2" BSP	Q = W/O bypass, with magnet	T = Plug

Element Technical Specifications

Part Number	Micron	Element Media	Seals
SF250M90N	90	M = Wire Mesh	N = Buna

NB: Flow rates are based on oil with 30cst viscosity and pressure drop of filter assembly of 0.08 bar.

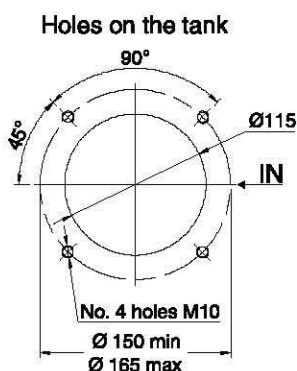
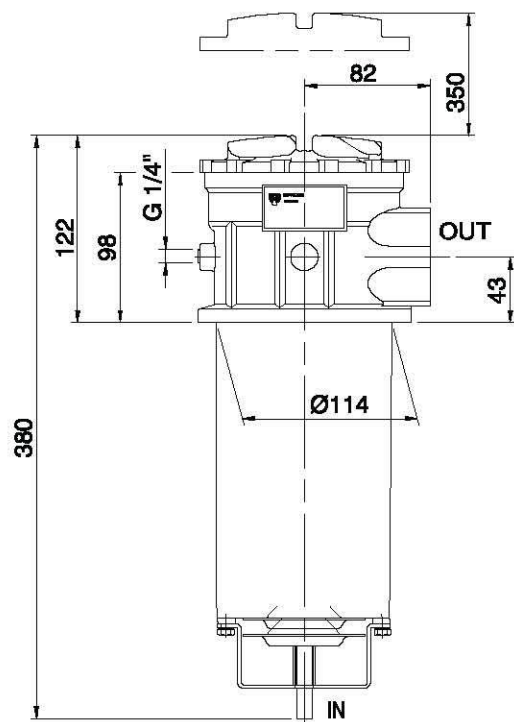
Dimensions

Flange Connections

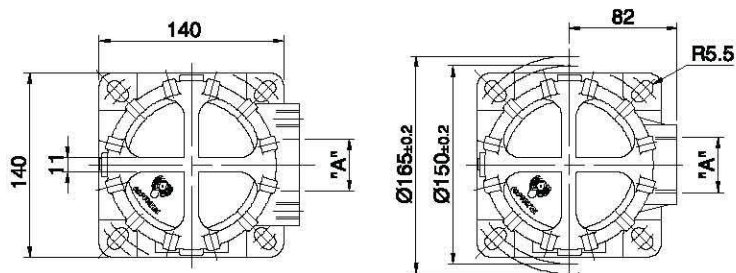
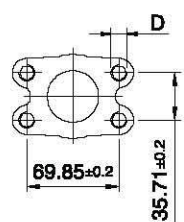
Type	"A" Connection	D (mm)
SF2250AF1QT	1-1/2 SAE - 3000 PSI/M	M12

Thread Connections

Type	"A" Connection
SF2250AG1QT	G 1-1/2"



Flange connections



Content is subject to change without notice. Please refer to our website for the most current product information. All filter housings are supplied **without** elements or indicators. Please order housings, elements and indicators as separate components.



MP FILTRI SUCTION FILTERS

SF2-500 Series



Features

- Semi-submerged positive head suction filter.
- Steel hand wheel operates closing valve preventing oil loss from reservoir during maintenance.
- The anti-start safety switch prevents accidental start up if closing valve is closed.

- Accepts either visual or electrical closing indicators.

Applications

- Suitable for industrial applications, ie. Die casting and plastic injection machinery and hydrostatic systems.

Performance

Flow Rating	Up to 850 L/min
Temperature Range	- 25 C to + 110 C
Filtration	90 micron
Construction	Aluminium
Fluid Compatibility	Mineral & synthetic oils, water based emulsions
Indicators	V, V0 & E1

Filter Technical Specifications

Part Number	Flow Rate (L/min)	Filter Media	Port Size	Options	Indicator
SF2503AF1KT1	400 - 480	A = Buna	F1 = 3" SAE Flange	K = With microswitch and with steel hand wheel	T1 = Plug
SF2504AF1KT1	550 - 650	A = Buna	F1 = 4" SAE Flange	K = With microswitch and with steel hand wheel	T1 = Plug

Element Technical Specifications

Part Number	Flow Rate (L/min)	Micron	Element Media	Suits Filter
SF503M90	480	90	M = Wire Mesh	SF2-503
SF504M90	650			SF2-504
SF505M90	250			SF2-505
SF510M90	280			SF2-500, 501 & 510
SF540M90	800			SF2-540

NB: Flow rates are based on oil with 30cst viscosity and pressure drop of filter assembly of 0.08 bar.

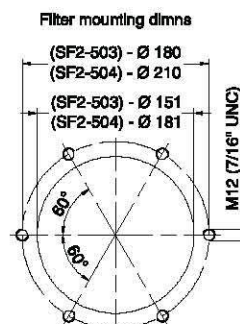
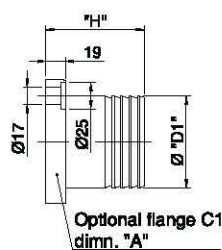
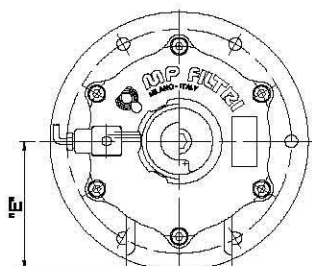
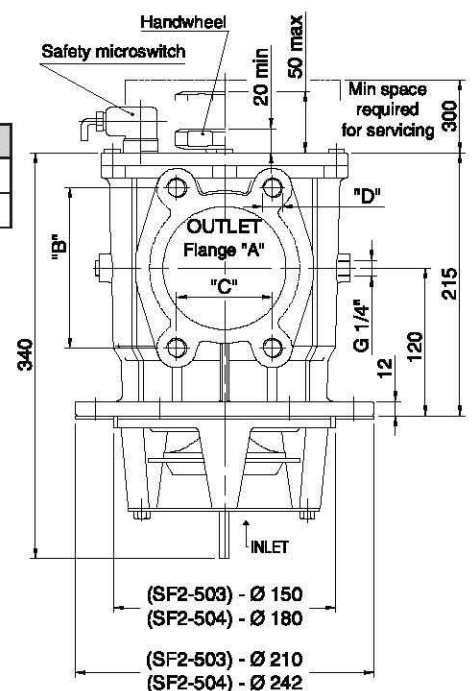


SF2-510 application

Dimensions

Flange Connections

Type	"A" connection	B (mm)	C (mm)	D (mm)	D1 (mm)	E (mm)	H (mm)
SF2503AF1KT1	3" SAE - 3000 PSI/M	106.38	61.93	M 16	89	110	95
SF2504AF1KT1	4" SAE - 3000 PSI/M	130.18	77.77	M 16	114	120	100



Content is subject to change without notice. Please refer to our website for the most current product information. All filter housings are supplied **without** elements or indicators. Please order housings, elements and indicators as separate components.



MEFILTRI SPIN-ON FILTERS

MPS Series



Features

- In-line mounted Spin-On filter system designed for both return and suction applications.
- The MPS-100, 150, 200 & 300 series have a dual threaded post allowing these filters to accept both European "CS" and American "CG" standard Spin-On Cans.
- MP Filtri Spin-On Cans are interchangeable with most other manufacturers Spin-On housings.

- Spin-On Cans are available in a number sizes and micron ratings including the "CW" type water removal cans.
- Aluminium body, Nylon bypass, and brass indicators.

Applications

- Designed for contamination control in hydraulic and lubrication circuits.
- Suitable for mobile, agricultural, industrial and machine tool systems.

Performance

Flow Rating	Up to 300 L/min
Max. Working Pressure	12 bar
Temperature Range	- 25 C to + 110 C
Filtration	3, 10, 25, 60 and 90 micron
Construction	Aluminium
Fluid Compatibility	Mineral & synthetic oils, water based emulsions
Indicators	VS, VR, EC, ER, 1V, V6, 1E, Z1
Bypass Pressure	1.75 bar +/- 10% Return 0.3 bar +/- 10% Suction

Filter Technical Specifications

Part Number	New Part Number	Flow Rate (L/min)	Bypass	Options	Port Size	Post Size	Indicator
MPS050CG1T	MPS050RG1T	40 - 65	1.75 bar	W / Bypass & 4 indicator ports	3/4" BSP	3/4" BSP	T = Plug (std)
MPS050RG1T		40 - 65	1.75 bar	W / Bypass & indicator port on RETURN	3/4" BSP	3/4" BSP	
MPS050RU1T		40 - 65	1.75 bar	W / Bypass & indicator port on RETURN	3/4" BSP	1" UNF	
MPS050SG1T		9-24	0.3 bar	W / Bypass & indicator port on SUCTION	3/4" BSP	3/4" BSP	
MPS050SU1T		9-24	0.3 bar	W / Bypass & indicator port on SUCTION	3/4" BSP	1" UNF	
MPS071RG1T		45-68	1.75 bar	W / Bypass & indicator port on RETURN	3/4" BSP	3/4" BSP	
MPS100CG1T	MPS100RG1T	75-160	1.75 bar	W / Bypass & 4 indicator ports	1-1/4" BSP	1-1/4" BSP & 1-1/2" UNF Dual Post	
MPS100RG1T		75-160	1.75 bar	W / Bypass & indicator port on RETURN	1-1/4" BSP		
MPS100SG1T		16-65	0.3 bar	W / Bypass & indicator port on SUCTION	1-1/4" BSP		
MPS151RG1T		85-160	1.75 bar	W / Bypass & indicator port on RETURN	1-1/4" BSP		
MPS200PG1T	MPS200UG1T	130-290	1.75 bar	Without Bypass & 4 indicator ports	1-1/2" BSP		
MPS200RG1T		130-290	1.75 bar	W / Bypass & indicator port on RETURN	1-1/2" BSP		
MPS200SG1T		30-120	0.3 bar	W / Bypass & indicator port on SUCTION	1-1/2" BSP		
MPS300RG1T		130-290	1.75 bar	W / Bypass & indicator port on RETURN	1-1/2" BSP		
MPS300SG1T		30-120	0.3 bar	W / Bypass & indicator port on SUCTION	1-1/2" BSP		

Please note where possible THW will supply filters using current part numbers until stocks have been depleted. THW will then supply filters utilising new part numbers on all subsequent orders received.

Element Technical Specifications

Part Number	Flow Rate - Return (L/min)	Flow Rate - Suction (L/min)	Element type	Suits Filter housings
CG050A03A	40	9	3u ABS Microfibre	MPS050RU1T MPS050SU1T
CG050P10A	55	16	10u Nom Paper	MPS050RU1T MPS050SU1T
CG050P25A	65	18	25u Nom Paper	MPS050RU1T MPS050SU1T
CG070P10A	58	18	10u Nom Paper	MPS071RG1T
CG070P25A	68	20	25u Nom Paper	MPS071RG1T
CG100A03A	75	16	3u ABS Microfibre	MPS 100, 150, 200 & 300
CG100P10A	130	35	10u Nom Paper	MPS 100, 150, 200 & 300
CG100P25A	160	50	25u Nom Paper	MPS 100, 150, 200 & 300
CG150M90A	N/A	68	90u NOM wire Mesh	MPS 100, 150, 200 & 300
CG150P10A	150	40	10u Nom Paper	MPS 100, 150, 200 & 300

Content is subject to change without notice. Please refer to our website for the most current product information. All filter housings are supplied **without** elements or indicators. Please order housings, elements and indicators as separate components.



MP FILTRI[®] SPIN-ON FILTERS

MPS Series (cont.)



Element Technical Specifications (cont.)

Part Number	Flow Rate - Return (L/min)	Flow Rate - Suction (L/min)	Element type	Suits Filter housings
CG150P25A	195	45	25u Nom Paper	MPS 100, 150, 200 & 300
CS050A03A	40	9	3u ABS Microfibre	MPS050RG1T MPS050CG1T MPS050SG1T
CS050A10A	48	14	10u ABS Microfibre	MPS050RG1T MPS050CG1T MPS050SG1T
CS050P10A	55	16	10u Nom Paper	MPS050RG1T MPS050CG1T MPS050SG1T
CS050P25A	65	18	25u Nom Paper	MPS050RG1T MPS050CG1T MPS050SG1T
CS100A10A	110	25	10u ABS Microfibre	MPS 100, 150, 200 & 300
CS100M90A	N/A	65	90u NOM wire Mesh	MPS 100, 150, 200 & 300
CS100P10A	130	35	10u Nom Paper	MPS 100, 150, 200 & 300
CS100P25A	160	50	25u Nom Paper	MPS 100, 150, 200 & 300
CS150M60A	N/A	68	60u NOM wire Mesh	MPS 100, 150, 200 & 300
CS150M90A	N/A	68	90u NOM wire Mesh	MPS 100, 150, 200 & 300
CS150P10A	150	40	10u Nom Paper	MPS 100, 150, 200 & 300
CW050P10A	55	N/A	10u Nom Paper	MPS050RU1T
CW150P10A	150	N/A	10u Nom Paper	MPS 100, 150, 200 & 300

NB: Flow rates are based on oil with 30cst viscosity and pressure drop of filter assembly of 0.4 bar for return filters and 8 Kpa for suction filters.

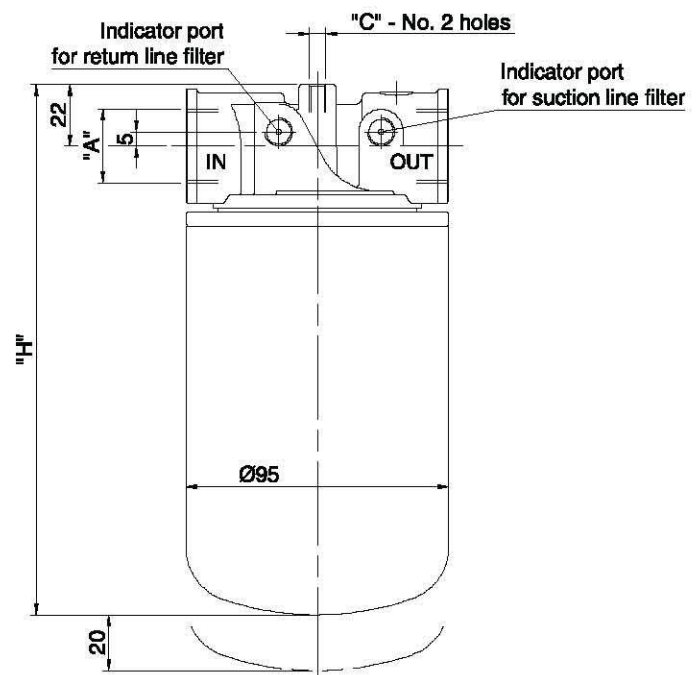
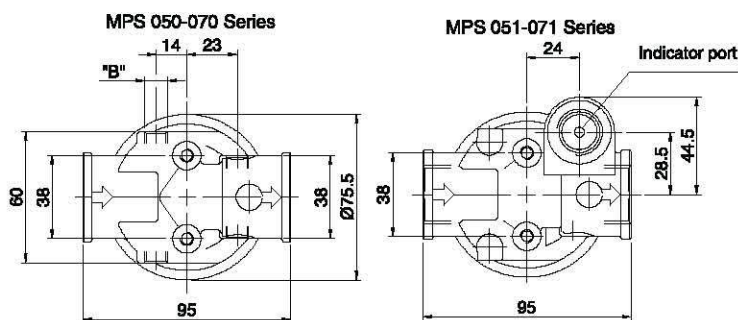
Dimensions - MPS 050/070

Filter Lengths

Type	H (mm)
MPS 050 / 051	193
MPS 070 / 071	257

Thread Connections

For CS type	For CG type	"A" Connection	"B"	"C"
G1	U1	G 3/4"	G 1/8"	M6



Content is subject to change without notice. Please refer to our website for the most current product information. All filter housings are supplied **without** elements or indicators. Please order housings, elements and indicators as separate components.



ComarFluidPower
Hydraulic Supplies
Division : 01902 383000



MP FILTRI SPIN-ON FILTERS

MPS Series (cont.)



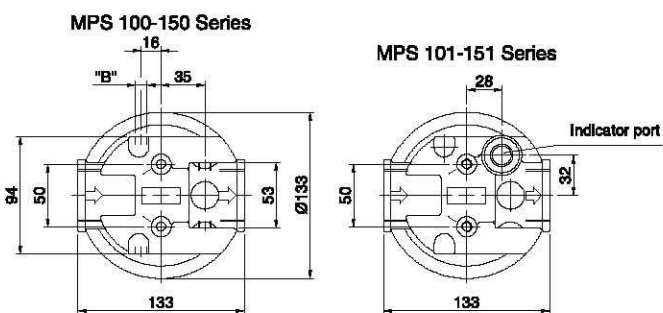
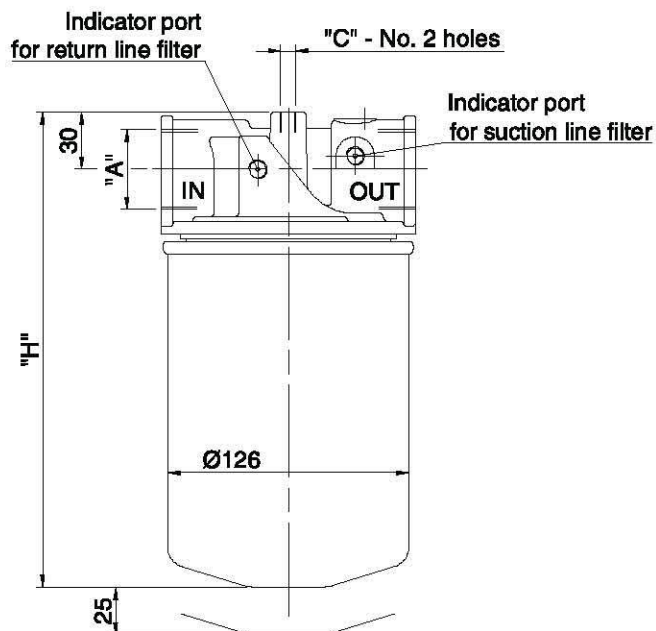
Dimensions - MPS 100-150

Filter Lengths

Type	H (mm)
MPS 100	251
MPS 150 / 151	296

Thread Connections

For CS type	"A" Connection (inches)	"B"	"C"
G1	G 1-1/4"	G 1/8"	M8



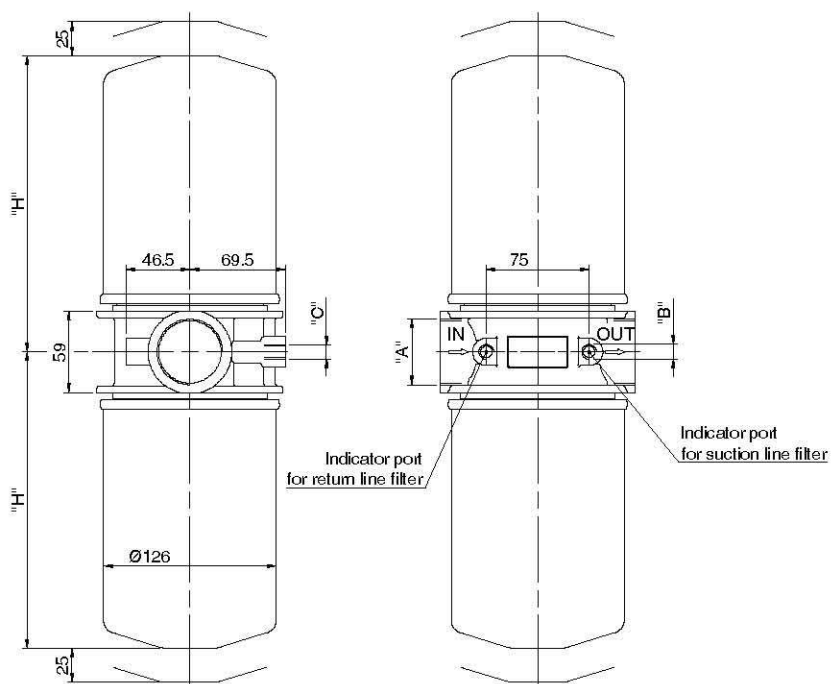
Dimensions - MPS 200

Filter Lengths

Type	H (mm)
MPS 200	216

Thread Connections

For CS type	"A" Connection	"B"	"C"
G1	G 1-1/2"	G 1/8"	M10



Content is subject to change without notice. Please refer to our website for the most current product information.
All filter housings are supplied **without** elements or indicators. Please order housings, elements and indicators as separate components.



ComarFluidPower
Hydraulic Supplies
Division : 01902 383000



M²FILTRI[®] SPIN-ON FILTERS

MPS Series (cont.)



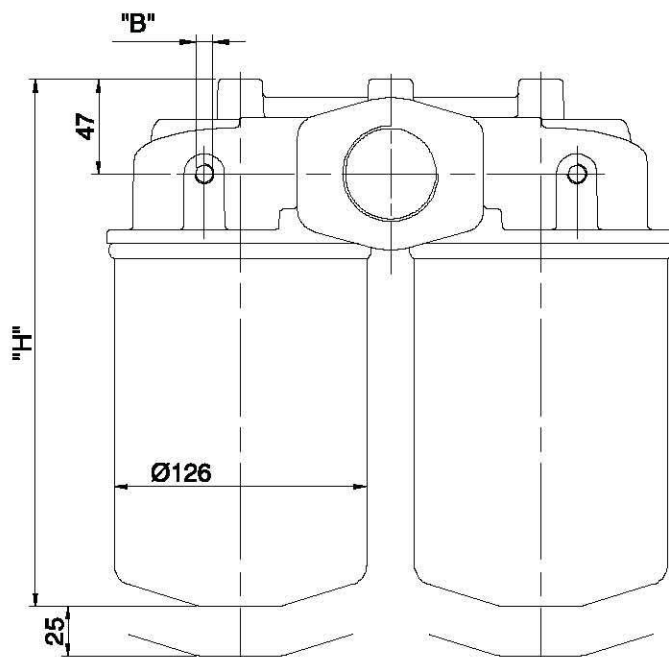
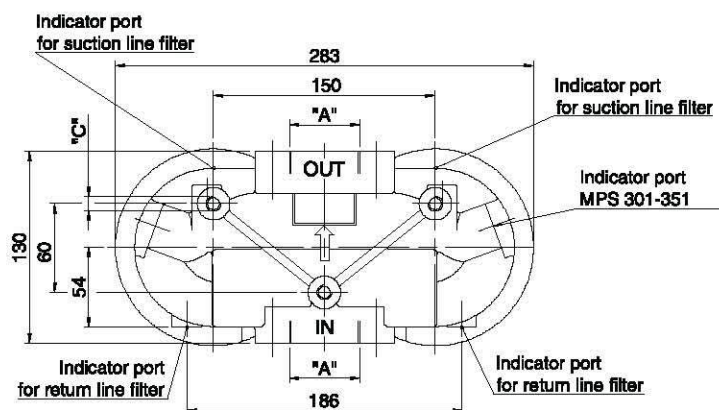
Dimensions - MPS 300

Filter Lengths

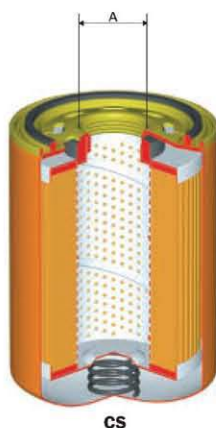
Type	H (mm)
MPS 300	265

Thread Connections

For CS type	"A" Connection	"B"	"C"
G1	G 1-1/2"	G 1/8"	M10



Filter Element Series



Thread Connections

Type	A
CS 050-070	3/4" BSP
CS 100-150	1-1/4" BSP

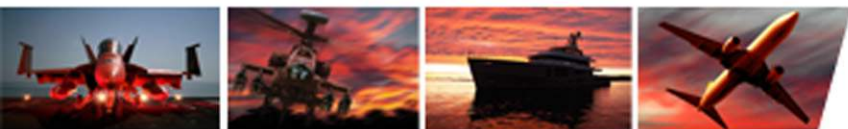
Thread Connections

Type	A
CG 050-070	1"-12 UN
CG 100-150	1-1/2" - 16 UN

Thread Connections

Type	A
CW 050	1"-12 UN
CS 150	1-1/2" - 16 UN

Content is subject to change without notice. Please refer to our website for the most current product information. All filter housings are supplied **without** elements or indicators. Please order housings, elements and indicators as separate components.



MP FILTRI HIGH PRESSURE SPIN-ON FILTERS

MSH Series



Features

- Compact design and quality construction.
- The high efficiency "CH" canisters are of seamless construction with a Beta rating of 200.
- Unique sealing system ensures the filter will withstand medium pressures up to 50 bar.
- Aluminium body, nylon bypass valve and brass indicators.

Applications

- Ideal for use in servo-assisted hydrostatic transmissions where the servo line requires high performance filtration at medium working pressures.
- Suitable for mobile, industrial and agricultural equipment.
- Ideal for use on supercharging or auxiliary low pressure lines.

Performance

Flow Rating	Up to 250 L/min
Max. Working Pressure	35 bar
Temperature Range	- 25 C to + 110 C
Filtration	10 and 25 micron
Construction	Aluminium
Fluid Compatibility	Mineral & synthetic oils, water based emulsions
Indicators	Differential
Bypass Pressure	2.5 bar +/- 10%

Filter Technical Specifications

Part Number	Flow Rate (L/min)	Bypass (bar)	Seals	Port Size	Post Size	Indicator
MSH050BAG1T2	44 - 120	2.5 bar	A = Buna	G1 = 1" BSP	3/4" BSP	T = Plug (std)
MSH100BAG1T2	110 - 250			G1 = 1-1/2" BSP		

Element Technical Specifications

Part Number	Flow Rate (L/min)	Element Type	Suits Filter Housing
CH050A10A	70	10u ABS Microfibre	MSH050BAG1T2
CH050A25A	100	25u ABS Microfibre	MSH050BAG1T2
CH100A10A	158	10u ABS Microfibre	MSH100BAG1T2
CH150A10A	175	10u ABS Microfibre	MSH100BAG1T2
CH150P10A	218	10u Nom Paper	MSH100BAG1T2

NB: Flow rates are based on oil with 30cst viscosity and pressure drop of filter assembly of 0.6 bar.

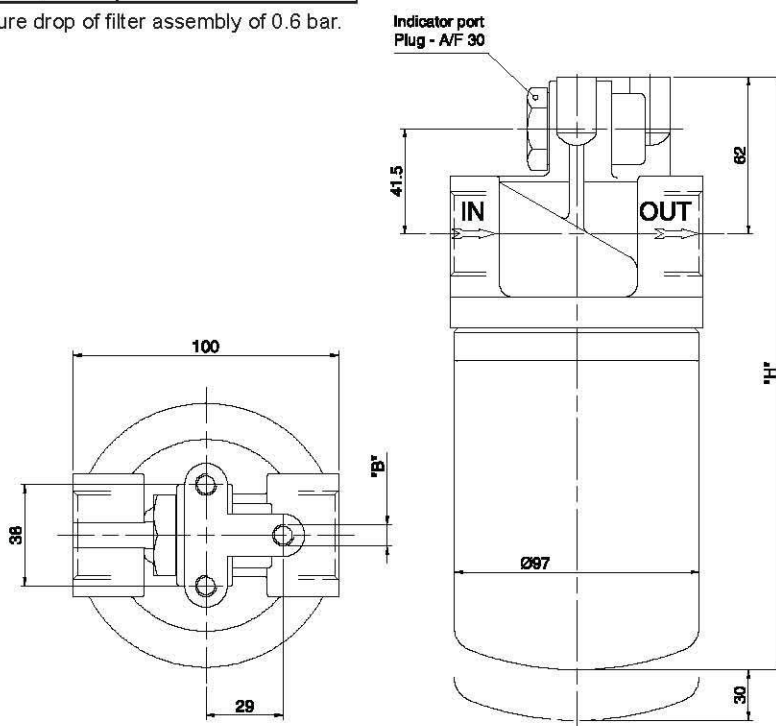
Dimensions - MSH 050

Filter Lengths

Type	H (mm)
MSH 050	236

Thread Connections

Type	"A" Connection	"B"
G1	G 1"	M 8



Content is subject to change without notice. Please refer to our website for the most current product information. All filter housings are supplied **without** elements or indicators. Please order housings, elements and indicators as separate components.



ComarFluidPower
Hydraulic Supplies
Division : 01902 383000



M2FILTRI HIGH PRESSURE SPIN-ON FILTERS

MSH Series (cont.)



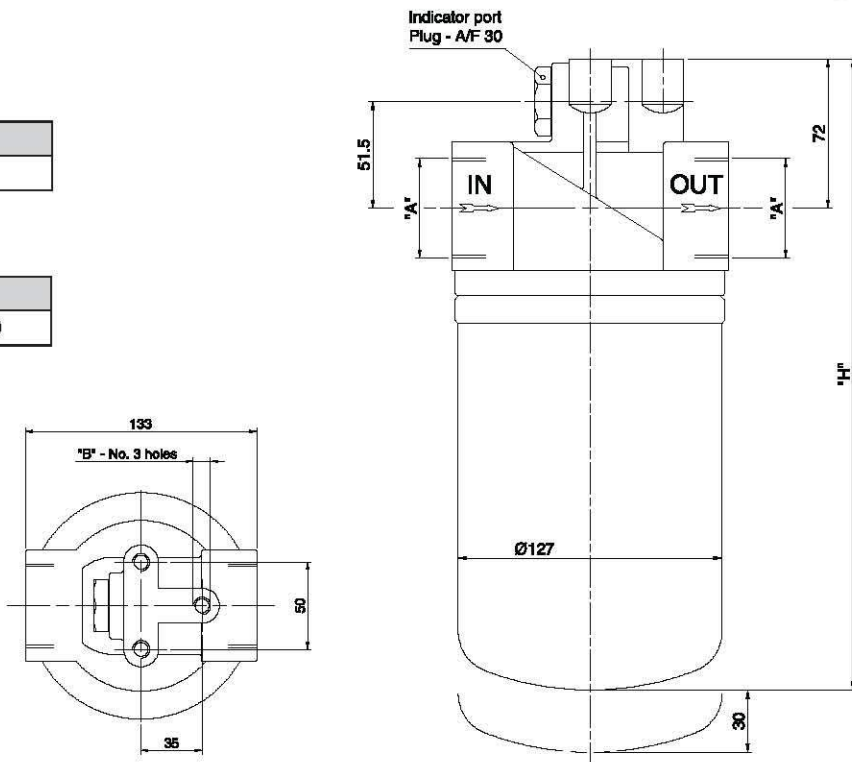
Dimensions - MSH 100

Filter Lengths

Type	H (mm)
MSH-100	306

Thread Connections

Type	"A" Connection	B
G1	G 1-1/2"	M 10



Content is subject to change without notice. Please refer to our website for the most current product information.
All filter housings are supplied **without** elements or indicators. Please order housings, elements and indicators as separate components.



MPFILTRI TANK MOUNTED FILTERS

MPF Series



Features

- Tank mounted semi-immersed return filter.
- Available in 2, 3 and 4 bolt fixing design.
- High flow rate bypass valve as standard.
- High filtration efficiency.
- Accepts a number of visual and electrical switch type indicators.

Applications

- Specifically designed for mobile applications, agricultural machinery and power units.
- Industrial applications, including die casting, plastic injection machinery and hydrostatic systems.

Performance

Flow Rating	Up to 500 L/min
Max. Working Pressure	8 bar
Temperature Range	- 25 C to + 110 C
Filtration	10, and 25 micron
Construction	Aluminium head, nylon bowl
Fluid Compatibility	Mineral & synthetic oils, water based emulsions
Indicators	V1, VR, ER, EC
Bypass Pressure	1.75 bar +/- 10%

Filter Technical Specifications

Part Number	Flow Rate (L/min)	Mount Type	Seals	Port size	Options	Indicator
MPF0301AG1BT	10-33	2 bolt	A = BUNA	G1 = 1/2" BSP	B = Bypass 1.75 bar	T = Plug
MPF1001AG1BT	28-75	2 bolt		G1 = 1/2" BSP		
MPF1001AG2BT	28-75	2 bolt		G2 = 3/4" BSP		
MPF1001AG3BT	35-190	2 bolt		G3 = 1" BSP		
MPF1002AG1BT	35-190	2 bolt		G1 = 1/2" BSP		
MPF1002AG2BT	35-190	2 bolt		G2 = 3/4" BSP		
MPF1002AG3BT	35-190	2 bolt		G3 = 1" BSP		
MPF1042AG2BT	35-190	4 bolt		G2 = 3/4" BSP		
MPF1042AG3BT	45-220	4 bolt		G3 = 1" BSP		
MPF1003AG3BT	100-340	2 bolt		G3 = 1" BSP		
MPF1801AG1BT	100-340	3 bolt		G1 = 1-1/4" BSP		
MPF1841AG1BT	170-450	4 bolt		G1 = 1-1/4" BSP		
MPF4002AG2BT	220-500	4 bolt		G2 = 1-1/2" BSP		
MPF4003AG3BT	250 - 800	4 bolt		G3 = 2" BSP		

Content is subject to change without notice. Please refer to our website for the most current product information.
All filter housings are supplied **without** elements or indicators. Please order housings, elements and indicators as separate components.



MPFILTRI TANK MOUNTED FILTERS

MPF Series (cont.)



Element Technical Specifications

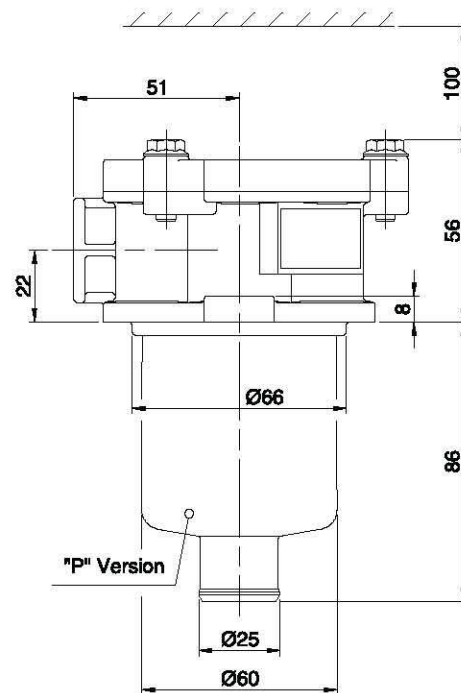
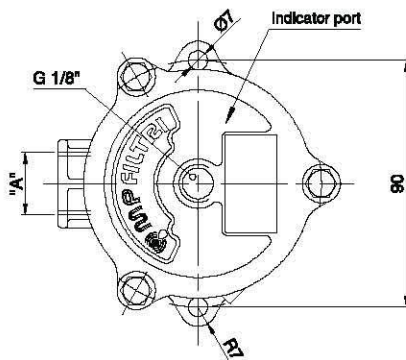
Part Number	Flow Rate (L/min)	Element Type	Suits Filter Housing	Collapse Rating (bar)	Seals	Beta Ratio
MF0301A25HB	35	25u ABS Microfibre	MPF0301	10 bar	BUNA	$\beta_x @ > 200$
MF0301P10NB	33	10u Nom Paper	MPF0301	3 bar		NOMINAL
MF0301P25NB	44	25u Nom Paper	MPF0301	3 bar		NOMINAL
MF1001A10HB	35	10u ABS Microfibre	MPF1001	10 bar		$\beta_x @ > 200$
MF1001P10NB	55	10u Nom Paper	MPF1001	3 bar		NOMINAL
MF1001P25NB	95	25u Nom Paper	MPF1001	3 bar		NOMINAL
MF1002A10HB	50	10u ABS Microfibre	MPF1002 MPF1042	10 bar		$\beta_x @ > 200$
MF1002A25HB	140	25u ABS Microfibre	MPF1002 MPF1042	10 bar		$\beta_x @ > 200$
MF1002P10NB	100	10u Nom Paper	MPF1002 MPF1042	3 bar		NOMINAL
MF1002P25NB	190	25u Nom Paper	MPF1002 MPF1042	3 bar		NOMINAL
MF1003A10HB	75	10u ABS Microfibre	MPF1003	10 bar		$\beta_x @ > 200$
MF1003P10NB	125	10u Nom Paper	MPF1003	3 bar		NOMINAL
MF1003P25NB	220	25u Nom Paper	MPF1003	3 bar		NOMINAL
MF1801A10HB	150	10u ABS Microfibre	MPF1801 MPF1841	10 bar		$\beta_x @ > 200$
MF1801P10NB	190	10u Nom Paper	MPF1801 MPF1841	3 bar		NOMINAL
MF1801P25NB	340	25u Nom Paper	MPF1801 MPF1841	3 bar		NOMINAL
MF4002A10HB	260	10u ABS Microfibre	MPF4002	10 bar		$\beta_x @ > 200$
MF4002A25HB	450	25u ABS Microfibre	MPF4002	10 bar		$\beta_x @ > 200$
MF4002P10NB	320	10u Nom Paper	MPF4002	3 bar		NOMINAL
MF4003P10NB	420	10u Nom Paper	MPF4003	3 bar		NOMINAL
MF7501P10NB	440	10u Nom Paper	MPF7501	3 bar	NOMINAL	

NB: Flow rates are based on oil with 30cst viscosity and pressure drop of filter assembly of 0.4 bar.

Dimensions - MPF 030

Thread Connections

Type	"A" Connection
G1	G 1/2"



Content is subject to change without notice. Please refer to our website for the most current product information.
All filter housings are supplied **without** elements or indicators. Please order housings, elements and indicators as separate components.



MPFILTRI TANK MOUNTED FILTERS

MPF Series (cont.)



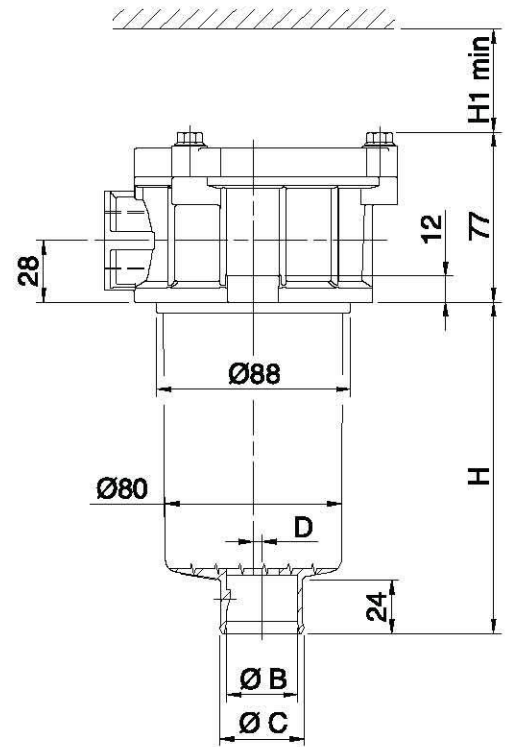
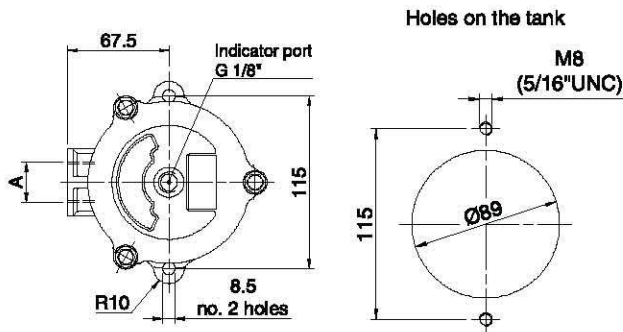
Dimensions - MPF 100

Filter Lengths

Type	H (mm)	H1 (mm)	ØB (mm)	ØC (mm)	D (mm)
MPF1001	103	120	32	38	4
MPF1002	150	170	32	38	4
MPF1003	228	250	40	46.5	2.5

Thread Connections

Type	"A" Connection
G1	G 1/2"
G2	G 3/4"
G3	G 1"



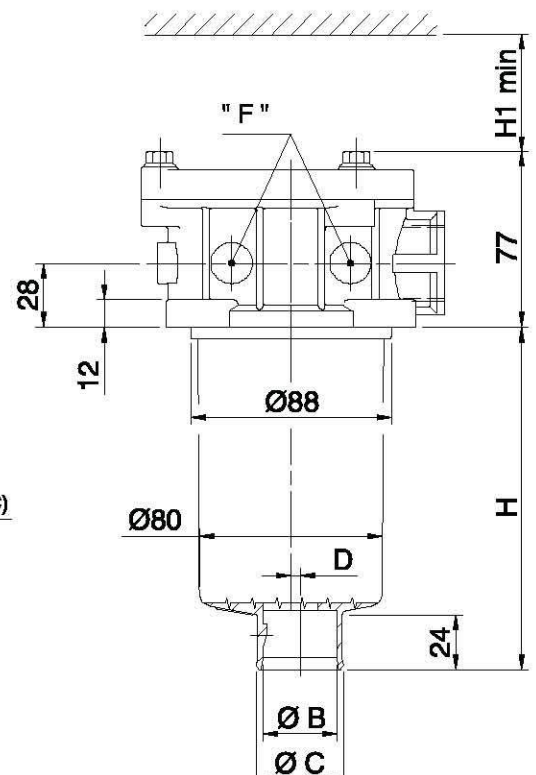
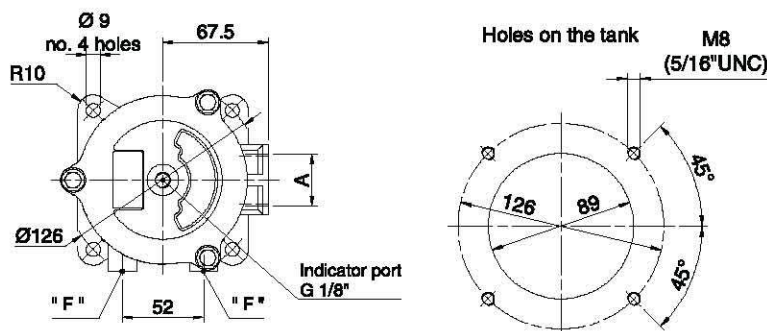
Dimensions - MPF 104

Filter Lengths

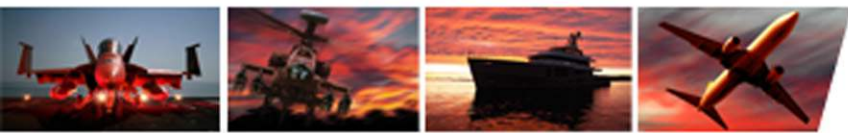
Type	H (mm)	H1 (mm)	ØB (mm)	ØC (mm)	D (mm)
MPF1042	150	170	32	38	4

Thread Connections

Type	"A" Connection	F
G1	G 1/2"	G 1/8"
G2	G 3/4"	G 1/8"
G3	G 1"	G 1/8"



Content is subject to change without notice. Please refer to our website for the most current product information.
All filter housings are supplied **without** elements or indicators. Please order housings, elements and indicators as separate components.



MPF TANK MOUNTED FILTERS

MPF Series (cont.)



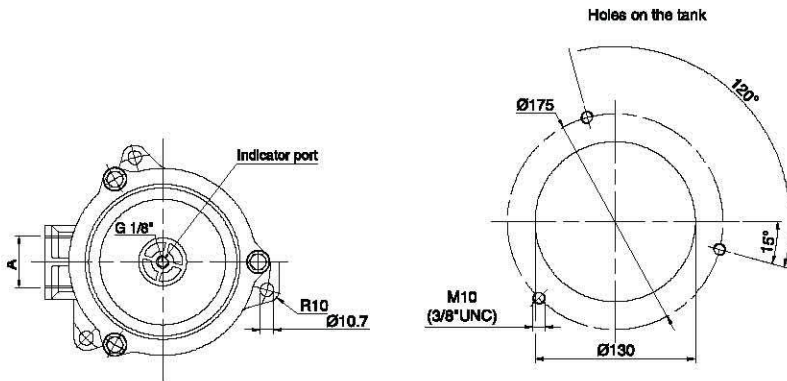
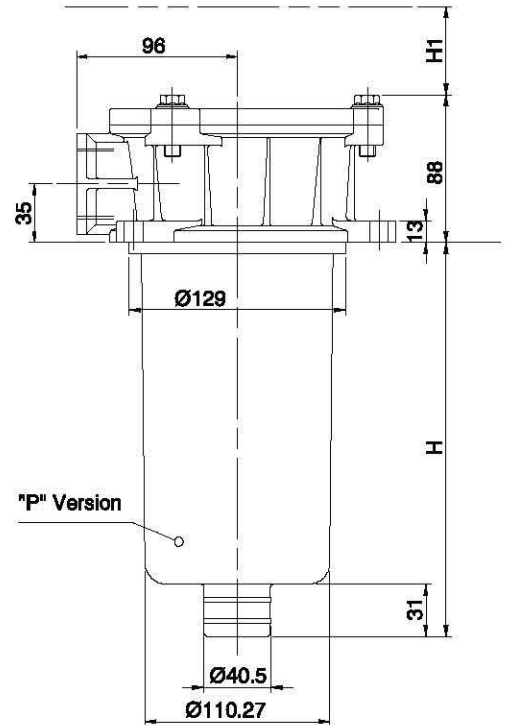
Dimensions - MPF 180

Filter Lengths

Type	H1 max (mm)	H max (mm)
MPF1801	250	231

Thread Connections

Type	"A" Connection	E
G1	G 1-1/4"	G 1/8"



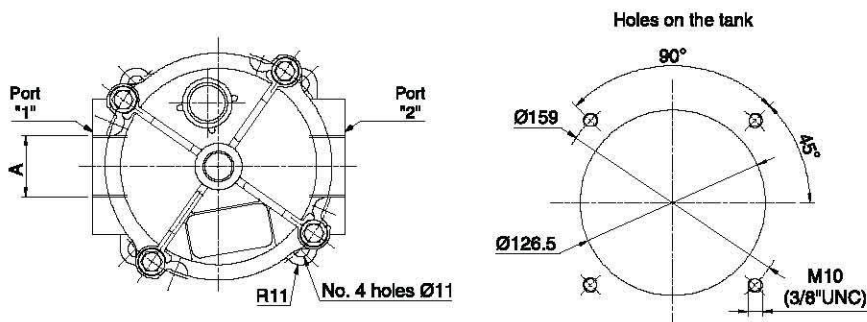
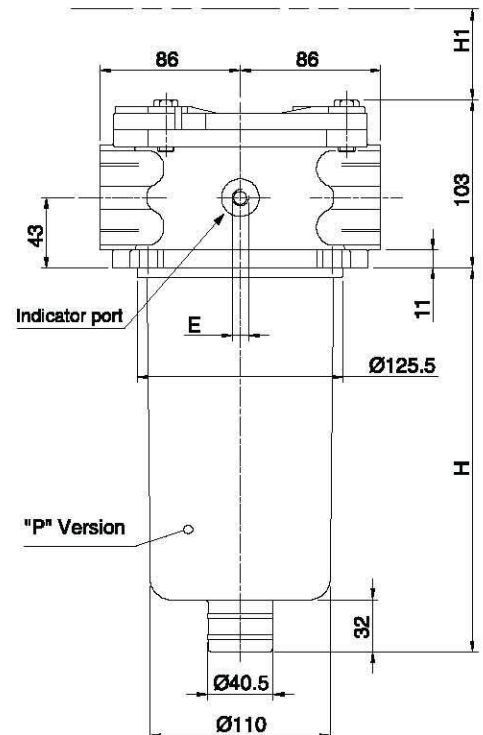
Dimensions - MPF 184

Filter Lengths

Type	H1 max (mm)	H max (mm)
MPF1841	250	231

Thread Connections

Type	"A" Connection	E
G1	G 1-1/4"	G 1/8"



Content is subject to change without notice. Please refer to our website for the most current product information.
All filter housings are supplied **without** elements or indicators. Please order housings, elements and indicators as separate components.



MPFILTRI TANK MOUNTED FILTERS

MPF Series (cont.)



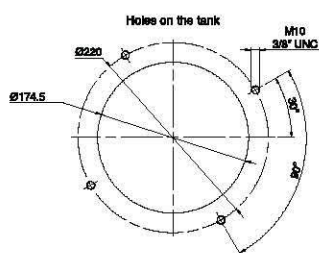
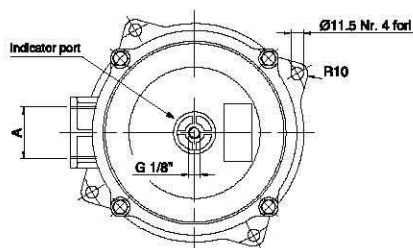
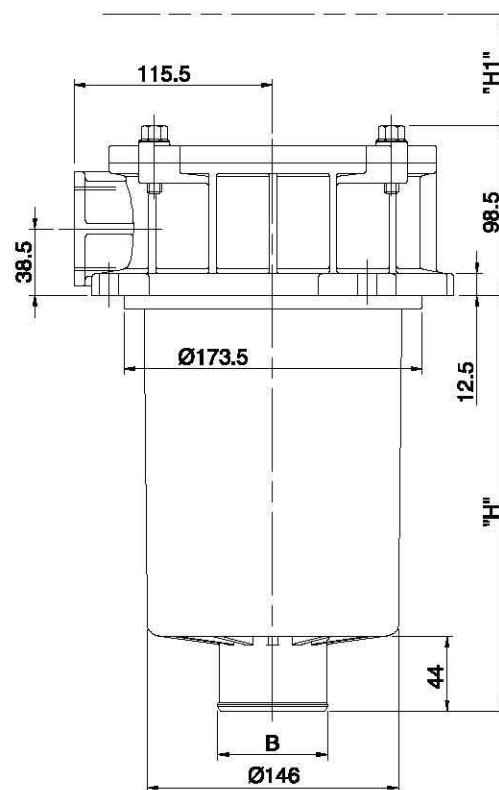
Dimensions - MPF 400

Filter Lengths

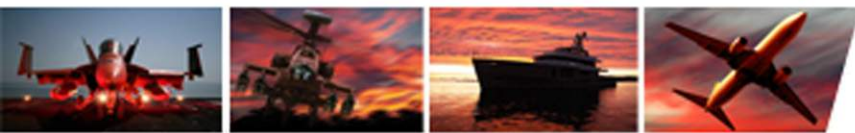
Type	H max (mm)	H1 (mm)	Ø "B" (mm)
MPF4002	238	250	64
MPF4003	288	310	64

Thread Connections

Type	"A" Connection
G1	G 1-1/4"
G2	G 1-1/2"
G3	G 2"



Content is subject to change without notice. Please refer to our website for the most current product information.
All filter housings are supplied **without** elements or indicators. Please order housings, elements and indicators as separate components.



MP FILTRI TANK MOUNTED FILTERS

MPH Series



Features

- Tank mounted semi-immersed return filters.
- Filtration flow is from inside to outside of the filter element which ensures that the contaminant is collected inside the element itself.
- A combination of magnetic pre-filtration and high filtration efficiency.

Applications

- Specifically designed for heavy duty mobile machinery and process plant applications.

Performance

Flow Rating	Up to 500 L/min
Max. Working Pressure	10 bar
Temperature Range	- 25 C to + 110 C
Filtration	10 micron
Construction	Aluminium head and cover
Fluid Compatibility	Mineral & synthetic oils, water based emulsions
Indicators	VT, VR, V1, EQ, EB, ER, EC
Bypass Pressure	0.8 bar +/- 10%

Filter Technical Specifications

Part Number	Flow Rate (L/min)	Bowl Length	Bypass	Diffuser	Breather	Seals	Port Size	Indicator
MPH2504BDSAG1T	350 - 500	4	B = 0.8 bar	D = W/ Diffuser	S = W/O Breather	A = Buna	G1 = 1-1/2" BSP	T = with plug (std)

Element Technical Specifications

Part Number	Flow Rate (L/min)	Element Media	Suits Filter Housing	Seals	Beta Ratio
MR2504A10A	440	10u ABS microfibre	MPH2504	A = Buna	$\beta_x \text{ @ } > 200$
MR2504P10A	500	10u NOM paper			NOMINAL

NB: Flow rates are based on oil with 30cst viscosity and pressure drop of filter assembly of 0.4 bar.

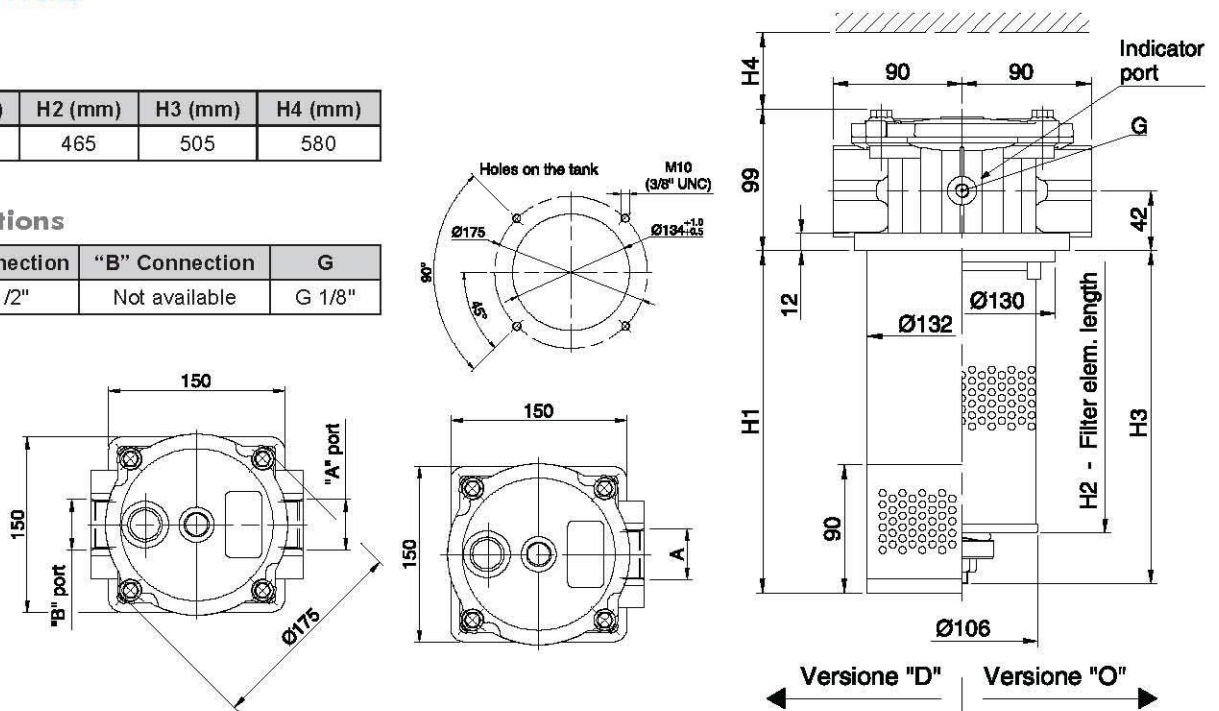
Dimensions - MPH 250

Filter Lengths

Type	H1 (mm)	H2 (mm)	H3 (mm)	H4 (mm)
MPH2504	508	465	505	580

Thread Connections

Type	"A" Connection	"B" Connection	G
G1	G 1-1/2"	Not available	G 1/8"



Content is subject to change without notice. Please refer to our website for the most current product information.
All filter housings are supplied **without** elements or indicators. Please order housings, elements and indicators as separate components.



IN-LINE RETURN FILTERS

LMP-210 Series



Features

- Designed for return lines and are installed in-line.
- Inorganic microfibre elements provide efficient filtration and dirt holding capacity with a Beta ratio of 1000.
- High flow rate bypass valve as standard.
- Elements available in resin impregnated paper, microfibre and wire mesh from 3 to 25 micron.

Applications

- Specifically designed for mobile applications, agricultural machinery and light industrial applications.
- Systems with high return line pressures that require excellent component protection.
- As a more efficient alternative to high pressure spin-on filters.

Performance

Flow Rating	Up to 270 L/min
Max. Working Pressure	60 bar
Temperature Range	- 25 C to + 110 C
Filtration	3, 10, 25 micron
Construction	Aluminium
Fluid Compatibility	Mineral & synthetic oils, water based emulsions
Indicators	Differential
Bypass Pressure	3.5 bar +/- 10%

Filter Technical Specifications

Part Number	Flow Rate (L/min)	Bowl Length	Options	Seals	Port Size	Indicator
LMP2101BAG1T2	98 - 250	1	B = Bypass 3.5 bar	A = Buna	G1 = 1" BSP	T2 = Plug (std)
LMP2102BAG2T2	140 - 255	2			G2 = 1-1/4" BSP	
LMP2103BAG3T2	190 - 268	3			G3 = 1-1/2" BSP	

Element Technical Specifications

Part Number	Flow Rate (L/min)	Element type	Suits Filter	Seals	Collapse Rating	Beta Ratio
CU2101A03AN	98	3u ABS microfibre	LMP2101	A = Buna	N = 20 bar	$\beta_x \odot > 1000$
CU2101A10AN	175	10u ABS microfibre	LMP2101			$\beta_x \odot > 1000$
CU2101P10AN	245	10u NOM paper	LMP2101			NOMINAL
CU2101P25AN	250	25u NOM paper	LMP2101			NOMINAL
CU2102A03AN	140	3u ABS microfibre	LMP2102			$\beta_x \odot > 1000$
CU2102A10AN	205	10u ABS microfibre	LMP2102			$\beta_x \odot > 1000$
CU2102M25	270	25u NOM wire mesh	LMP2102			NOMINAL
CU2102P10AN	250	10u NOM paper	LMP2102			NOMINAL
CU2102P25AN	255	25u NOM paper	LMP2102			NOMINAL
CU2103A03AN	190	3u ABS microfibre	LMP2103			$\beta_x \odot > 1000$
CU2103A10AN	235	10u ABS microfibre	LMP2103			$\beta_x \odot > 1000$
CU2103P10AN	260	10u NOM paper	LMP2103			NOMINAL
CU2103P25AN	268	25u NOM paper	LMP2103			NOMINAL

Content is subject to change without notice. Please refer to our website for the most current product information.
All filter housings are supplied **without** elements or indicators. Please order housings, elements and indicators as separate components.



ComarFluidPower
Hydraulic Supplies
Division : 01902 383000



IN-LINE RETURN FILTERS

LMP-210 Series (cont.)



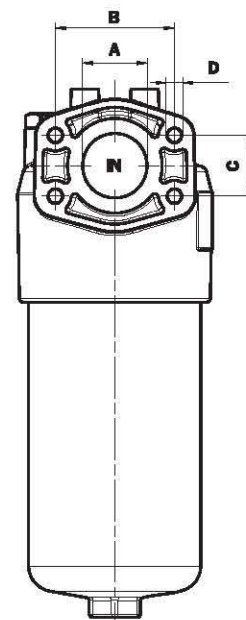
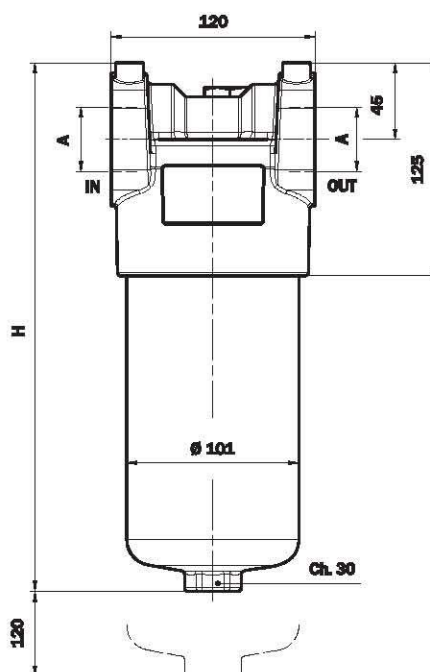
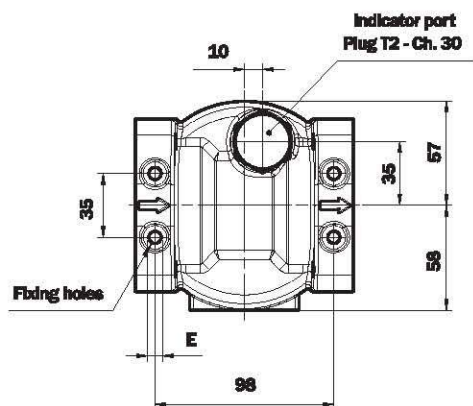
Dimensions

Filter Lengths

Type	H (mm)
LMP2101	360
LMP2102	492
LMP2103	630

Thread Connections

Type	"A" Connection	E Depth 12mm
G1	G 1"	M8
G2	G 1-1/4"	M8
G3	G 1-1/2"	M8



Content is subject to change without notice. Please refer to our website for the most current product information.
All filter housings are supplied **without** elements or indicators. Please order housings, elements and indicators as separate components.



IN-LINE RETURN FILTERS

LMP 430 Series



Features

- Designed for return lines and are installed in-line.
- Utilises the differential type indicators available.
- Two bowl sizes to suit most applications.
- Maintenance from bowl allows for quick and easy replacement of elements with minimal oil loss.

Applications

- Lubrication systems, production machinery and other industrial applications where superior filtration is required for maximum equipment efficiency.

Performance

Flow Rating	Up to 610 L/min
Max. Working Pressure	50 bar
Temperature Range	- 25 C to + 110 C
Filtration	10 micron
Construction	Aluminium
Fluid Compatibility	Mineral & synthetic oils, water based emulsions
Indicators	Differential
Bypass Pressure	3.5 bar +/- 10%

Filter Technical Specifications

Part Number	Flow Rate (L/min)	Bowl Length	Options	Seals	Port Size	Indicator
LMP4305BAG1T2	405 - 550	5	B = Bypass 3.5 bar	A = Buna	G1 = 1-1/2" BSP	T2 = Plug (std)
LMP4306BAF1T2	450 - 610	6			F1 = 2" SAE Flange	

Element Technical Specifications

Part Number	Flow Rate (L/min)	Element Type	Suits Filter	Collapse Rating	Beta Ratio
CU4005A10AN	550	10u ABS micro-fibre	LMP4305	N = 20 bar	$\beta_{10} \geq 1000$
CU4006A10AN	610		LMP4306		

NB: Flow rates are based on oil with 30cst viscosity and pressure drop of filter assembly of 0.6 bar.

Dimensions

Filter Lengths

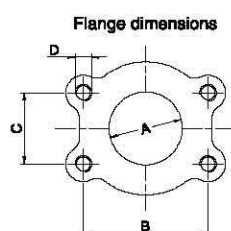
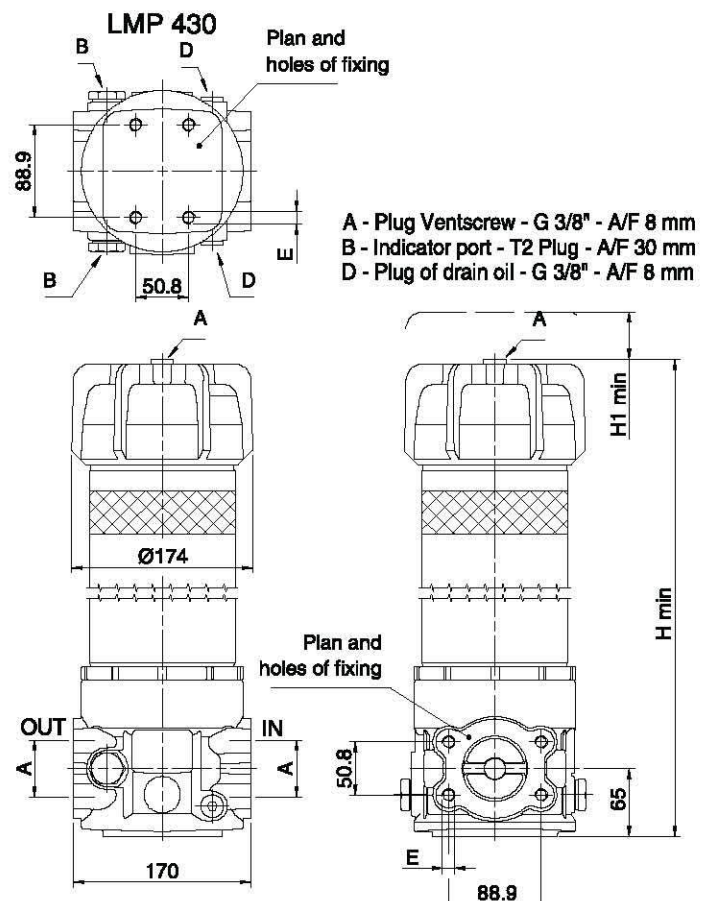
Type	H min (mm)	H1 min (mm)
LMP4305	828	660
LMP4306	1158	990

Thread Connections

Type	"A" Connection	E Depth 20mm
G1	G 1-1/2"	M12

Flange Connections

Type	"A" Connection	B (mm)	C (mm)	D (mm)	E Depth 20mm
F1	2" SAE " - 3000 PSI/M	77.77	42.88	M12	M12



Content is subject to change without notice. Please refer to our website for the most current product information.
All filter housings are supplied **without** elements or indicators. Please order housings, elements and indicators as separate components.



IN-LINE RETURN FILTERS

LMP 950 Series



Features

- The microfibre elements offer extremely efficient filtration and excellent dirt holding capacity with a Beta ratio of 1000.
- Utilises the differential type indicators available.
- Available in 2 flange sizes to suit most high flow applications.
- Maintenance from bowl allows for quick and easy replacement of elements with minimal oil loss.

Applications

- Designed for use on large industrial applications.
- Suited to lubrication systems, production machinery and other industrial applications where superior filtration is required for maximum equipment efficiency.

Performance

Flow Rating	Up to 1400 L/min
Max. Working Pressure	30 bar
Temperature Range	- 25 C to + 110 C
Filtration	10 micron
Construction	Aluminium
Fluid Compatibility	Mineral & synthetic oils, water based emulsions
Indicators	Differential
Bypass Pressure	3.5 bar +/- 10%

Filter Technical Specifications

Part Number	Flow Rate (L/min)	Bowl Length (mm)	Options	Seals	Port Size	Indicator
LMP9502BAF1T2	550 - 800	2	B = Bypass 3.5 bar	A = Buna	F1 = 3" SAE Flange	T2 = Plug (std)
LMP9503BAF3T2	1000 - 1400	3			F3 = 4" SAE Flange	

Element Technical Specifications

Part Number	Flow Rate (L/min)	Element Type	Suits Filter	Collapse Rating (bar)	Beta Ratio
CU9502A10AN	800	10u ABS Micro-fibre	LMP9502	N = 20 bar	$\beta_x \odot > 1000$
CU9503A10AN	1400		LMP9503		

NB: Flow rates are based on oil with 30cst viscosity and pressure drop of filter assembly of 0.6 bar.

Dimensions

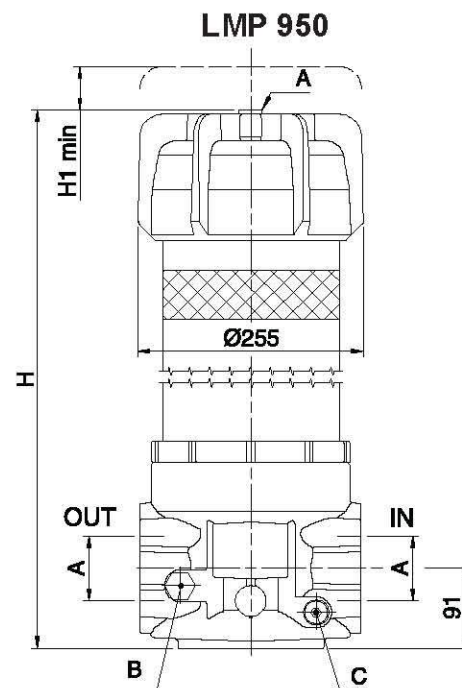
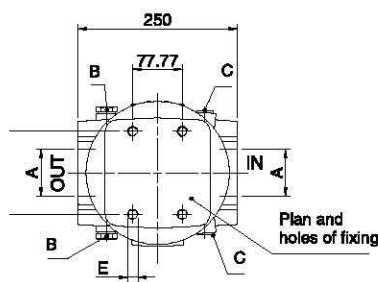
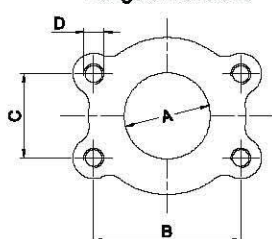
Filter Lengths

Type	H(mm)	H1 (mm)
LMP9502	680	350
LMP9503	1230	900

Flange Connections

Type	"A" Connection	B (mm)	C (mm)	D (mm)	E Depth 25 (mm)
F1	3" SAE - 3000 PSI/M	106.38	61.93	M16	M16
F3	4" SAE - 3000 PSI/M	130.18	77.77	M16	M16

Flange dimensions



- A - Plug Ventscrew - G 1/2" - A/F 10 mm
- B - Indicator port - T2 Plug - A/F 30 mm
- C - Plug of drain oil - G 1/2" - A/F 10 mm

Content is subject to change without notice. Please refer to our website for the most current product information.
All filter housings are supplied **without** elements or indicators. Please order housings, elements and indicators as separate components.



MPFILTRI PRESSURE FILTERS

FMP Series



Features

- Interchangeable indicator and bypass valve positions.
- Microfibre elements have superior dirt holding capacity and a Beta ratio of 1000.
- Differential indicators, available as visual, electrical or visual/electrical.
- Absolute rated elements are available in either 20 bar or 210 bar collapse pressure.

Applications

- Designed for industrial and mobile applications, agricultural machinery, power units, die casting and injection moulding equipment.
- Mining and corrosive environments.

Performance

Flow Rating	Up to 230 L/min
Max. Working Pressure	280 bar
Temperature Range	- 25 C to + 110 C
Filtration	3, 6, 10, 25 and 60 micron
Construction	Cast Iron
Fluid Compatibility	Mineral & synthetic oils, water based emulsions
Indicators	Differential
Bypass Pressure	6 bar +/- 10%

Filter Technical Specifications

Part Number	Flow Rate (L/min)	Options	Seals	Port size	Indicator
FMP0653BAG6T2	52 - 94	B = Bypass 6 bar	A = Buna	G6 = SAE 12	T2 = Plug (std)
FMP1351BAG1T2	50 - 171			G1 = 3/4" BSP	
FMP1352BAG2T2	91 - 230			G2 = 1" BSP	

Element Technical Specifications

Part Number	Flow Rate (L/min)	Element Type	Suits Filter Housing	Collapse Rating (bar)	Beta Ratio
HP0371A25AN	54	25u ABS Microfibre	FMP0381	20 bar	βx © > 1000
HP0371P10AN	45	10u Nom Paper	FMP0381	20 bar	
HP0371P25AN	54	25u Nom Paper	FMP0381	20 bar	
HP0372A03AN	40	3u ABS Microfibre	FMP0382	20 bar	
HP0372A10AN	58	10u ABS Microfibre	FMP0382	20 bar	
HP0372A25AN	71	25u ABS Microfibre	FMP0382	20 bar	
HP0651A03AN	23	3u ABS Microfibre	FMP0651	20 bar	
HP0651A10AN	48	10u ABS Microfibre	FMP0651	20 bar	
HP0651A25AN	72	25u ABS Microfibre	FMP0651	20 bar	
HP0652A03AH	30	3u ABS Microfibre	FMP0652	210 bar	
HP0652A03AN	31	3u ABS Microfibre	FMP0652	20 bar	
HP0652A06AN	45	6u ABS Microfibre	FMP0652	20 bar	
HP0652A10AH	57	10u ABS Microfibre	FMP0652	210 bar	
HP0652A10AN	60	10u ABS Microfibre	FMP0652	20 bar	
HP0652A25AH	77	25u ABS Microfibre	FMP0652	210 bar	
HP0652A25AN	82	25u ABS Microfibre	FMP0652	20 bar	
HP0653A03AN	53	3u ABS Microfibre	FMP0653	20 bar	
HP0653A10AH	78	10u ABS Microfibre	FMP0653	210 bar	
HP0653A10AN	79	10u ABS Microfibre	FMP0653	20 bar	
HP0653A25AN	94	25u ABS Microfibre	FMP0653	20 bar	
HP1351A03AH	50	3u ABS Microfibre	FMP1351	210 bar	
HP1351A03AN	69	3u ABS Microfibre	FMP1351	20 bar	
HP1351A10AH	98	10u ABS Microfibre	FMP1351	210 bar	

Content is subject to change without notice. Please refer to our website for the most current product information. All filter housings are supplied **without** elements or indicators. Please order housings, elements and indicators as separate components.



MP FILTRI PRESSURE FILTERS

FMP Series (cont.)



Element Technical Specifications (cont.)

Part Number	Flow Rate (L/min)	Element Type	Suits Filter Housing	Collapse Rating (bar)	Beta Ratio
HP1351A10AN	120	10u ABS Microfibre	FMP1351	20 bar	$\beta_{x \text{ @ } > 1000}$
HP1351A25AH	156	25u ABS Microfibre	FMP1351	210 bar	
HP1351A25AN	171	25u ABS Microfibre	FMP1351	20 bar	
HP1352A03AH	91	3u ABS Microfibre	FMP1352	210 bar	
HP1352A03AN	110	3u ABS Microfibre	FMP1352	20 bar	
HP1352A10AH	136	10u ABS Microfibre	FMP1352	210 bar	
HP1352A10AN	148	10u ABS Microfibre	FMP1352	20 bar	
HP1352A25AH	175	25u ABS Microfibre	FMP1352	210 bar	Nominal
HP1352M60AN	230	60u Nom Wire Mesh	FMP1352	20 bar	

NB: Flow rates are based on oil with 30cst viscosity and pressure drop of filter assembly of 1.5 bar.

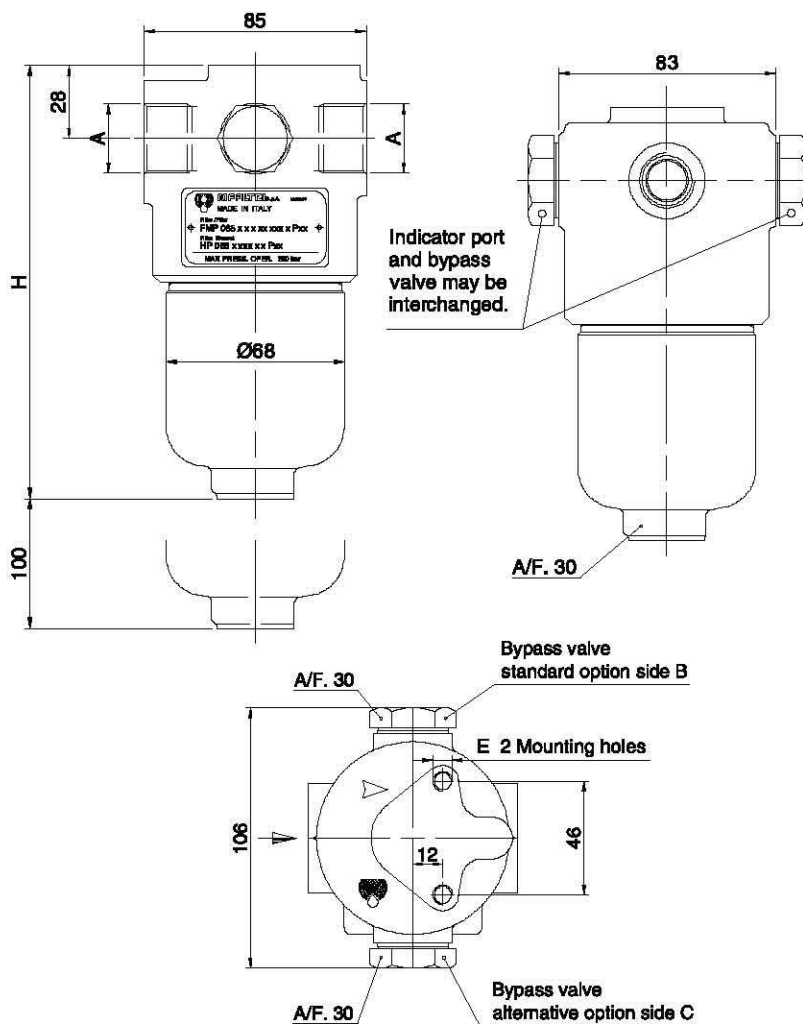
Dimensions - FMP 065

Filter Lengths

Type	H max (mm)
FMP0653	303

Thread Connections

Type	"A" Connection	E (depth 15mm)
G6	SAE 16 - 1-1/16"-12UN	5/16" UNC



Content is subject to change without notice. Please refer to our website for the most current product information.
All filter housings are supplied **without** elements or indicators. Please order housings, elements and indicators as separate components.



ComarFluidPower
Hydraulic Supplies
Division : 01902 383000



MPFILTRI PRESSURE FILTERS

FMP Series (cont.)



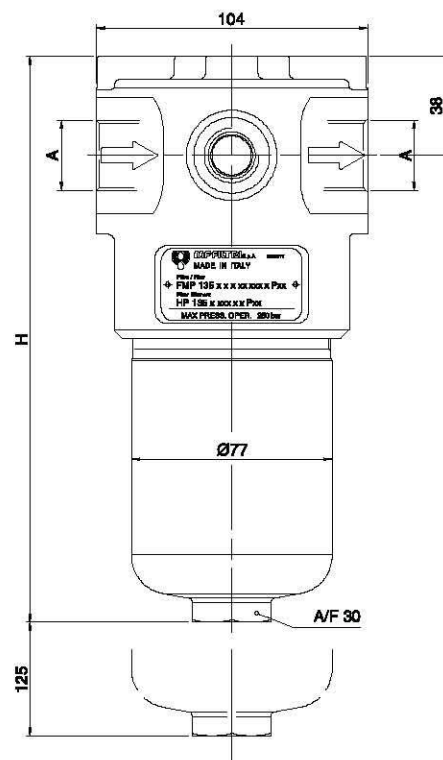
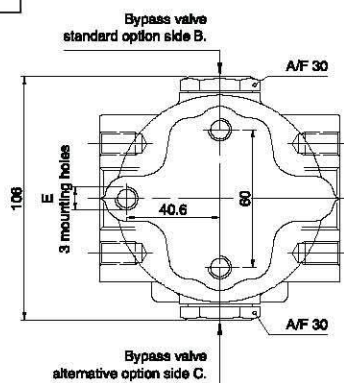
Dimensions - FMP 135

Filter Lengths

Type	H max (mm)
FMP1352	335
FMP1351	222

Thread Connections

Type	"A" Connection	E (depth 15mm)
G2	G 1"	M10
G1	G 3/4"	M10



Content is subject to change without notice. Please refer to our website for the most current product information.
All filter housings are supplied **without** elements or indicators. Please order housings, elements and indicators as separate components.



MP FILTRI PRESSURE FILTERS

FMM-050 Series



Features

- Available in 1/2" and 3/4" BSP port sizes.
- Filters are constructed of chemical heat treated cast iron.
- Low cost, light weight and compact design.

Applications

- High pressure applications.
- Industrial and mobile applications, agricultural machinery, machine tools and transmission applications.

Performance

Flow Rating	Up to 145 L/min
Max. Working Pressure	280 bar
Temperature Range	- 25 C to + 110 C
Filtration	10 micron Absolute Microfibre
Construction	Cast Iron & Steel
Fluid Compatibility	Mineral & synthetic oils, water based emulsions
Indicators	Differential
Bypass Pressure	6 bar +/- 10%

Filter Housing Technical Specifications

Part Number	Flow Rate (L/min)	Options (bar)	Seals	Port size	Indicator
FMM0502BACT2	53 - 140	B = Bypass 6 bar	A = Buna	C = 1/2" BSP	T2 = Plug (std)
FMM0504BADT2	85 - 145			D = 3/4" BSP	

Element Technical Specifications

Part Number	Flow Rate (L/min)	Element Type	Suits Filter Housing	Collapse Rating (bar)	Beta Ratio
HP0502A10AN	87	10u ABS Microfibre	FMM0502	20 bar	$\beta_x \odot > 1000$
HP0504A10AN	118		FMM0504		

NB: Flow rates are based on oil with 30cst viscosity and pressure drop of filter assembly of 1.5 bar.

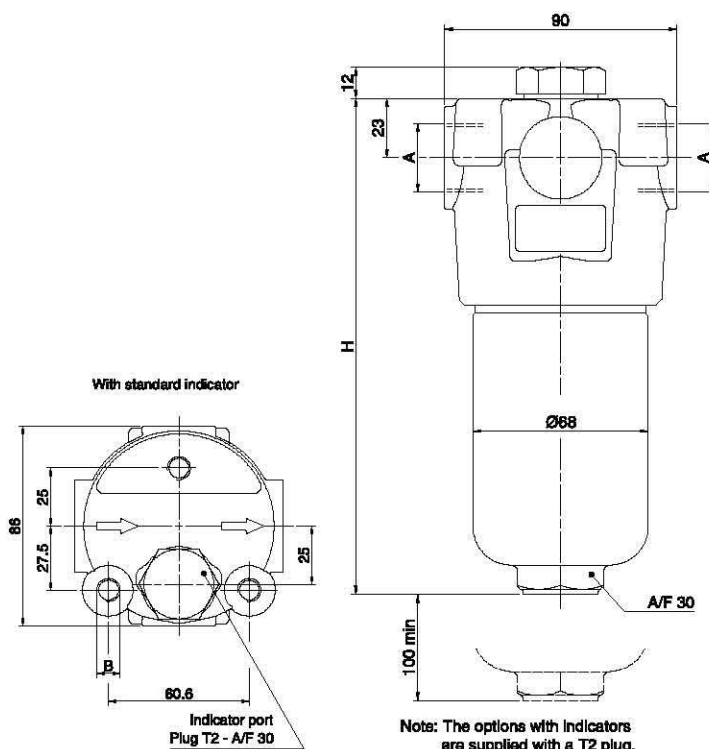
Dimensions

Filter Lengths

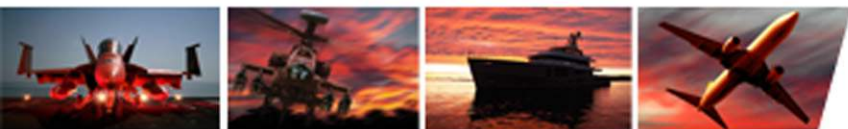
Type	H max (mm)
FMM0502	195
FMM0504	285

Thread Connections

Type	"A" Connection	B Depth 12mm
C	G 1/2"	M10
D	G 3/4"	M10



Content is subject to change without notice. Please refer to our website for the most current product information. All filter housings are supplied **without** elements or indicators. Please order housings, elements and indicators as separate components.



MP FILTRI PRESSURE FILTERS

FHP Series



Features

- High flow rate bypass valve as standard and reverse flow valve option is available on FHP 320/325 filters.
- Filters are constructed of chemical heat treated cast iron.
- Microfibre elements have superior dirt holding capacity with a Beta ratio of 1000.
- Utilises the differential type indicators available.

- Absolute rated elements are available in either 20 bar or 210 bar collapse pressure.

Applications

- Designed for industrial, mobile and power pack applications.
- Ideal for high pressure applications.
- Mining and earth moving equipment, drilling rigs, plant machinery and hydrostatic circuits (with reverse flow valve).

Performance

Flow Rating	Up to 465 L/min
Max. Working Pressure	420 bar
Temperature Range	- 25 C to + 110 C
Filtration	3, 6, 10, 25 and 60 micron
Construction	Cast Iron
Fluid Compatibility	Mineral & synthetic oils, water based emulsions
Indicators	Differential
Bypass Pressure	6 bar +/- 10%

Filter Technical Specifications

Part Number	Flow Rate (L/min)	Options	Seals	Port size	Indicator
FHP1352BAG1T2	91-230	B = Bypass 6 bar	A = Buna	G1 = 3/4" BSP	T2 = Plug (std)
FHP1352BAG2T2		B = Bypass 6 bar		G2 = 1" BSP	
FHP3202BAG1T2	192-445	B = Bypass 6 bar		G1 = 1-1/4" BSP	
FHP3202BAG2T2		B = Bypass 6 bar		G2 = 1-1/2" BSP	
FHP3203BAG2T2	255 - 465	B = Bypass 6 bar		G2 = 1-1/2" BSP	
FHP3253BAF2T2	312 - 480	B = Bypass 6 bar		F2 = 2" SAE FLANGE	

NB: Please note SAE flange ports are code 61 rated at 3000 PSI

Reverse Flow Filter Technical Specifications

Part Number	Flow Rate (L/min)	Options	Seals	Port size	Indicator
FHP3202RAG1T2	192 - 445	R = Reverse flow	A = Buna	G1 = 1-1/4" BSP	T2 = Plug (std)
FHP3203RAG2T2	255 - 465			G1 = 1-1/4" BSP	

Reverse Flow Element Technical Specifications

Part Number	Flow Rate (L/min)	Element Type	Suits Filter Housings	Collapse Rating	Beta Ratio
HP3202A10AS	300	10u ABS Microfibre	FHP3202R, FHP3253R	210 bar	bx © > 1000
HP3203A10AS	357	Reverse flow	FHP3203R, FHP3253R		

Content is subject to change without notice. Please refer to our website for the most current product information. All filter housings are supplied **without** elements or indicators. Please order housings, elements and indicators as separate components.



MEFILTRI PRESSURE FILTERS

FHP Series (cont.)



Element Technical Specifications

Part Number	Flow Rate (L/min)	Element Type	Suits Filter Housings	Collapse Rating	Beta Ratio
HP0651A03AN	23	3u ABS Microfibre	FHP0651	20 bar	bx © > 1000
HP0651A10AN	48	10u ABS Microfibre	FHP0651	20 bar	
HP0651A25AN	72	25u ABS Microfibre	FHP0651	20 bar	
HP0652A03AH	30	3u ABS Microfibre	FHP0652	210 bar	
HP0652A03AN	31	3u ABS Microfibre	FHP0652	20 bar	
HP0652A06AN	45	6u ABS Microfibre	FHP0652	20 bar	
HP0652A10AH	57	10u ABS Microfibre	FHP0652	210 bar	
HP0652A10AN	60	10u ABS Microfibre	FHP0652	20 bar	
HP0652A25AH	77	25u ABS Microfibre	FHP0652	210 bar	
HP0652A25AN	82	25u ABS Microfibre	FHP0652	20 bar	
HP0653A03AN	53	3u ABS Microfibre	FHP0653	20 bar	
HP0653A10AH	78	10u ABS Microfibre	FHP0653	210 bar	
HP0653A10AN	79	10u ABS Microfibre	FHP0653	20 bar	
HP0653A25AN	94	25u ABS Microfibre	FHP0653	20 bar	
HP1351A03AH	50	3u ABS Microfibre	FHP1351	210 bar	
HP1351A03AN	69	3u ABS Microfibre	FHP1351	210 bar	
HP1351A10AH	98	10u ABS Microfibre	FHP1351	210 bar	
HP1351A10AN	120	10u ABS Microfibre	FHP1351	20 bar	
HP1351A25AH	156	25u ABS Microfibre	FHP1351	210 bar	
HP1351A25AN	171	25u ABS Microfibre	FHP1351	20 bar	
HP1352A03AH	91	3u ABS Microfibre	FHP1352	210 bar	
HP1352A03AN	110	3u ABS Microfibre	FHP1352	20 bar	
HP1352A10AH	136	10u ABS Microfibre	FHP1352	210 bar	
HP1352A10AN	148	10u ABS Microfibre	FHP1352	20 bar	
HP1352A25AH	175	25u ABS Microfibre	FHP1352	210 bar	
HP1352M60AN	230	60u ABS Microfibre	FHP1352	20 bar	Nominal
HP3201A03AN	126	3u ABS Microfibre	FHP3201, FHP3251	20 bar	bx © > 1000
HP3201A10AH	185	10u ABS Microfibre	FHP3201, FHP3251	210 bar	
HP3201A10AN	230	10u ABS Microfibre	FHP3201, FHP3251	20 bar	
HP3201A25AN	330	25u ABS Microfibre	FHP3201, FHP3251	20 bar	
HP3202A03AN	248	3u ABS Microfibre	FHP3202, FHP3252	20 bar	
HP3202A10AH	300	10u ABS Microfibre	FHP3202, FHP3252	210 bar	
HP3202A10AN	376	10u ABS Microfibre	FHP3202, FHP3252	20 bar	
HP3202A25AN	440	25u ABS Microfibre	FHP3202, FHP3252	20 bar	
HP3202M60AN	450	60u ABS Microfibre	FHP3202, FHP3252	20 bar	Nominal
HP3203A03AN	319	3u ABS Microfibre	FHP3203, FHP3253	20 bar	bx © > 1000
HP3203A10AN	427	10u ABS Microfibre	FHP3203, FHP3253	20 bar	
HP3203A25AN	450	25u ABS Microfibre	FHP3203, FHP3253	20 bar	
HP3204A03AN	354	3u ABS Microfibre	FHP3204, FHP3254	20 bar	
HP3204A06AH	320	6u ABS Microfibre	FHP3204, FHP3254	210 bar	
HP3204A10AN	430	10u ABS Microfibre	FHP3204, FHP3254	20 bar	
HP3204A25AN	467	25u ABS Microfibre	FHP3204, FHP3254	20 bar	

NB: Flow rates are based on oil with 30cst viscosity and pressure drop of filter assembly of 1.5 bar.

Content is subject to change without notice. Please refer to our website for the most current product information.
All filter housings are supplied **without** elements or indicators. Please order housings, elements and indicators as separate components.



ComarFluidPower
Hydraulic Supplies
Division : 01902 383000



MPFILTRI PRESSURE FILTERS

FHP Series (cont.)



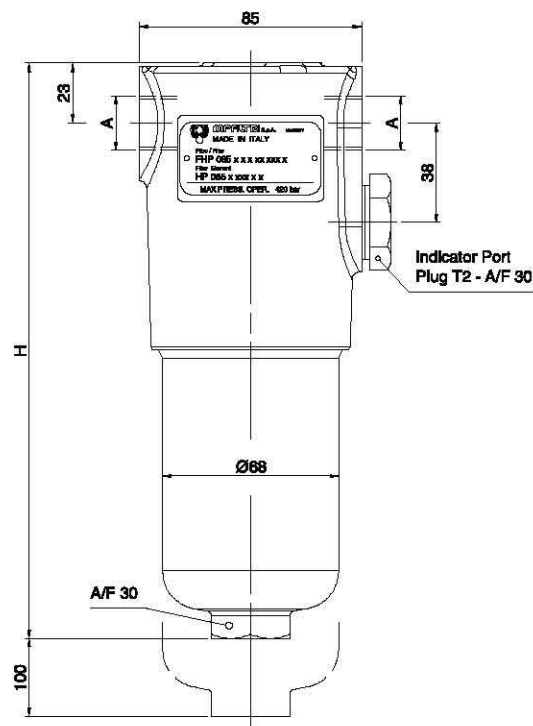
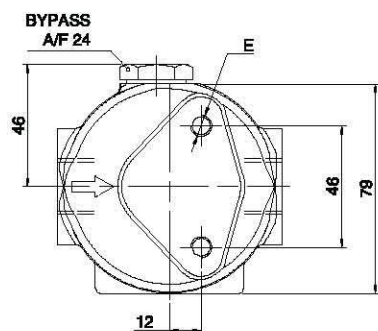
Dimensions - FHP065

Filter Lengths

Type	H max (mm)
FHP0653	330

Thread Connections

Type	"A" Connection	E Depth 15mm
G1	G 1/2"	M8



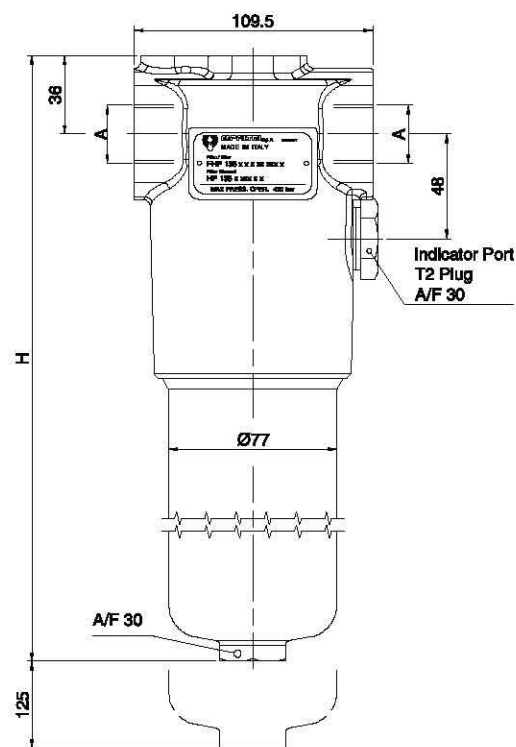
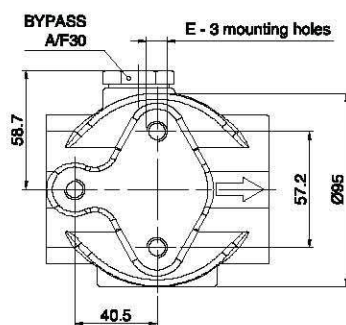
Dimensions - FHP135

Filter Lengths

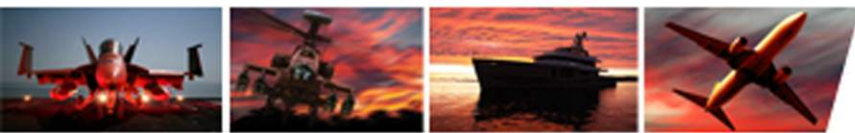
Type	H max (mm)
FHP1352	375

Thread Connections

Type	"A" Connection	E Prof 15mm
G1	G 3/4"	M10



Content is subject to change without notice. Please refer to our website for the most current product information.
All filter housings are supplied **without** elements or indicators. Please order housings, elements and indicators as separate components.



MP FILTRI PRESSURE FILTERS

FHP Series (cont.)



Dimensions - FHP320

Filter Lengths

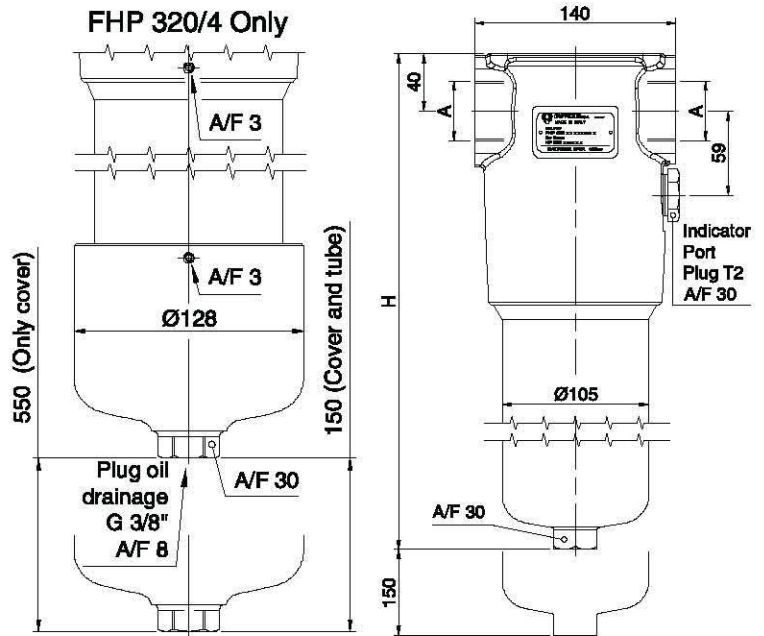
Type	H max (mm)
FHP3202	425
FHP3203	560

Thread Connections

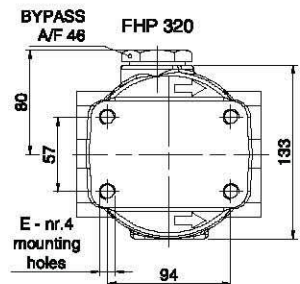
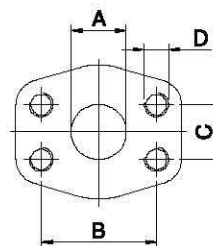
Type	"A" Connection	E Prof 15mm
G1	G 1-1/4"	M12
G2	G 1-1/2"	M12

Flange Connections

Type	"A" Connection	B (mm)	C (mm)	D (mm)	Depth
F1	1-1/4" SAE - 3000 PSI/M	58.72	30.18	M16	M12
F2	1-1/2" SAE - 3000 PSI/M	69.85	35.71	M16	M12



Flange connection



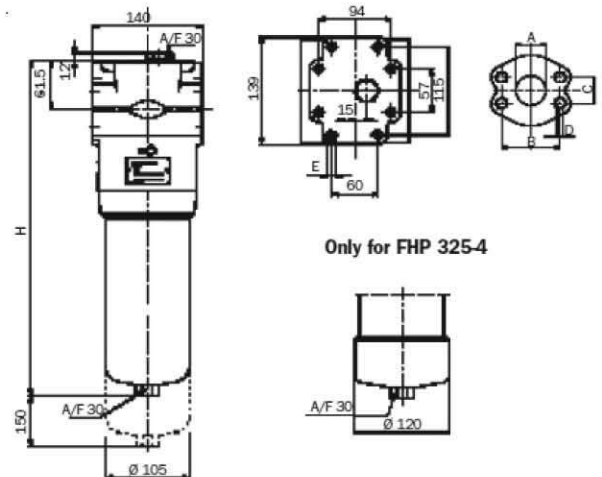
Dimensions - FHP325

Filter Lengths

Type	H max (mm)
FHP3253	589

Flange Connections

Type	"A" Connection	B (mm)	C (mm)	D (mm)	E Depth
F2	2" SAE - 3000 PSI/UNC	77.77	42.88	1/2" unc	1/2" unc



Content is subject to change without notice. Please refer to our website for the most current product information.
All filter housings are supplied **without** elements or indicators. Please order housings, elements and indicators as separate components.



MP FILTRI[®] CETOP MOUNT PRESSURE FILTERS

FHM Series



Features

- Directly mounted to Cetop valves to provide ultimate protection of sensitive equipment.
- Constructed of chemically heat treated steel suitable for use in extreme environments.
- The microfibre elements have superior dirt holding capacity with a Beta ratio of 1000 and collapse pressure of 210 bar.

Applications

- Ideally suited for the protection of proportional and servo valves.
- Component protection for sensitive equipment.

Performance

Flow Rating	Up to 31 L/min
Max. Working Pressure	320 bar
Temperature Range	- 25 C to + 110 C
Filtration	6 micron Absolute Microfibre
Construction	Steel
Fluid Compatibility	Mineral & synthetic oils, water based emulsions
Indicators	Differential
Bypass Pressure	No Bypass

Filter Technical Specifications

Part Number	Flow Rate (L/min)	Options	Seals	Port size	Indicator
FHM0061SAG1T2	9 - 17	S = Without bypass	A = Buna	Cetop 3	T2 = Plug (std)
FHM0103SAG1T2	24 - 31			Cetop 5	

Element Technical Specifications

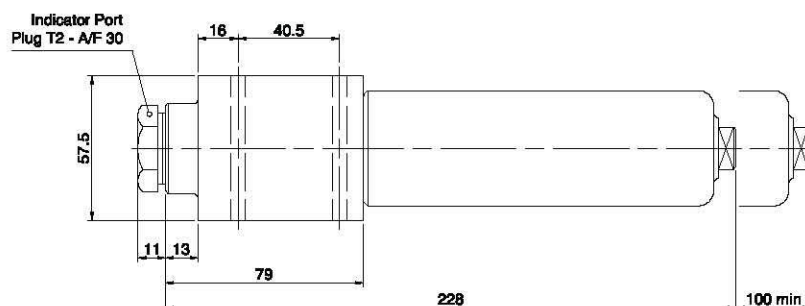
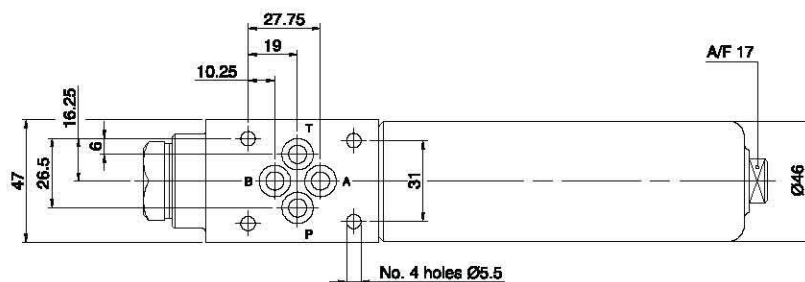
Part Number	Flow Rate (L/min)	Element Type	Suits Filter Housing	Collapse Rating (bar)	Beta Ratio
HP0201A06AH	10	6u ABS Microfibre	FHM0061	210 bar	$\beta_{x @} > 1000$
HP0653A06AH	26		FHM010		

NB: Flow rates are based on oil with 30cst viscosity and pressure drop of filter assembly of 1.5 bar.

Dimensions - FHM 006

Filter Lengths

Type	H max (mm)
FHM0061	228



Content is subject to change without notice. Please refer to our website for the most current product information. All filter housings are supplied **without** elements or indicators. Please order housings, elements and indicators as separate components.



ComarFluidPower
Hydraulic Supplies
Division : 01902 383000



MEFILTRI

CETOP MOUNT PRESSURE FILTERS

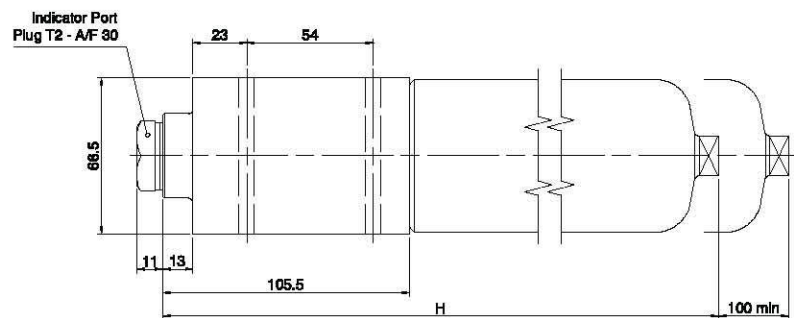
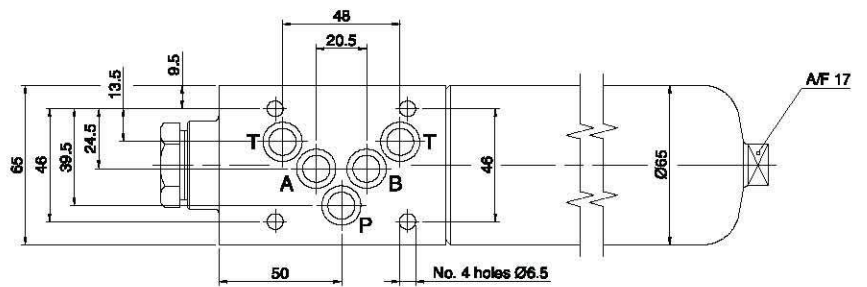
FHM Series (cont.)



Dimensions - FHM 010

Filter Lengths

Type	H max (mm)
FHM0103	380



Content is subject to change without notice. Please refer to our website for the most current product information.
All filter housings are supplied **without** elements or indicators. Please order housings, elements and indicators as separate components.



ComarFluidPower
Hydraulic Supplies
Division : 01902 383000



MPFILTRI INDICATORS

Clogging & Differential



Features

- Available as Clogging or Differential.
- Avoid unnecessary costs of changing elements too soon or too late by installing an indicator.
- Available in a number of styles and configurations including gauges, popup style, electric switching and combinations of electric and visual.

Applications

- Suits all MP Filtri Housings.

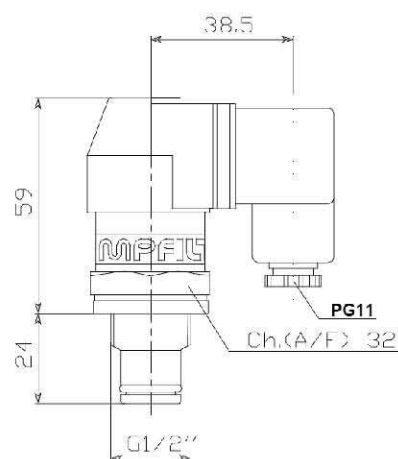
Performance

Temperature Range	- 35 C to + 110 C
Max. Working Pressure	Up to 420 bar
Construction	Brass
Fluid Compatibility	Mineral & synthetic oils, water based emulsions
Indicators	Clogging & Differential

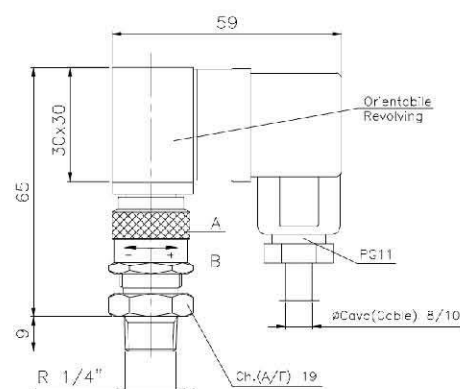
Visual/Electric Series

Part Number	Style	Type	Function	Thread	Rating (bar)	Suits Filter
1E	Switch	Visual/ Electric	Differential	1/2" BSP	1.2	MPS-(051, 071, 101)
E6					2	MPS-(051, 071, 101), LMP, MSH
E7					5	FHM, FHP, FMM, FMP
E8					7	FHM, FHP
E9					10	FHM, FHP

Dimensions - E Series



Dimensions - E1



Visual/Electric Series

Part Number	Style	Type	Function	Thread	Rating (bar)	Suits Filter
E1	Switch	Electric	N/O & N/C contacts	1/4" BSP	20 KPA	SF2-250 & SF2-500 Series

Content is subject to change without notice. Please refer to our website for the most current product information. All filter housings are supplied **without** elements or indicators. Please order housings, elements and indicators as separate components.

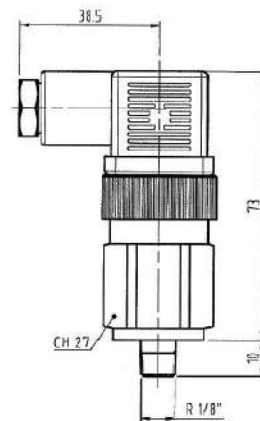


MP FILTRI INDICATORS

Clogging & Differential (cont.)



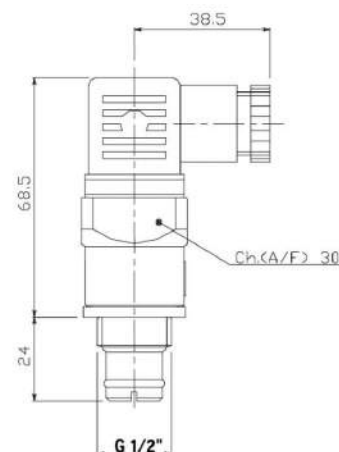
Dimensions - EC, EQ & ER



Electric Series

Part Number	Style	Type	Function	Thread	Rating (bar)	Suits Filter
EQ	Switch	Electric	N/O & N/C contacts	1/8" BSP	0.6	MPH
ER					1.5	MPF, MPH, MPS-(050, 070, 100, 200, 300)

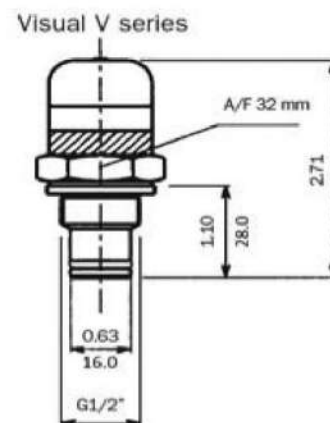
Dimensions - N Series



Electric Series

Part Number	Style	Type	Function	Thread	Rating (bar)	Suits Filter
N6	Switch	Electric	Differential	1/2" BSP	2	LMP, MPS-(051, 071, 101), MSH
N7					5	FHM, FHP, FMM, FMP
N8					7	FHM, FHP, FMM, FMP
N9					10	FHM, FHP

Dimensions - Visual V Series



Visual Series

Part Number	Style	Type	Function	Thread	Rating (bar)	Suits Filter
1V	Popup	Visual	Differential	1/2" BSP	1.2	MPS-(051, 071, 101)
V6					2	LMP, MSH, MPS-(051, 071, 101)
V7					5	FHM, FHP, FMM, FMP
V8					7	FHM, FHP, FMM, FMP
V9-1					10	FHM, FHP

Content is subject to change without notice. Please refer to our website for the most current product information. All filter housings are supplied **without** elements or indicators. Please order housings, elements and indicators as separate components.



INDICATORS

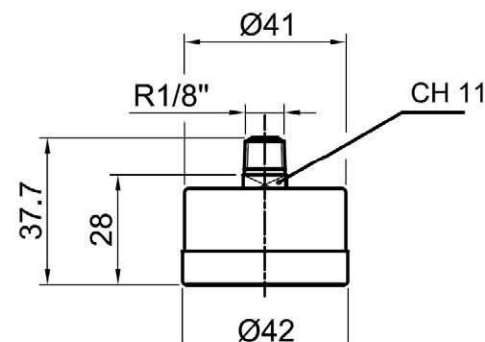
Clogging & Differential (cont.)



Dimensions - VR

Visual Series

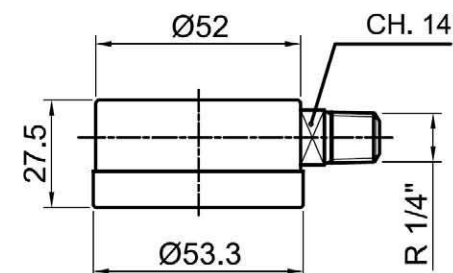
Part Number	Style	Type	Function	Thread	Rating (bar)	Suits Filter
VR	Gauge	Visual	Colour coded	1/8" BSP	0-6	MPF-184, MPT, MPH, MST, MPS-(050, 070, 100, 200, 300)



Dimensions - V

Visual Series

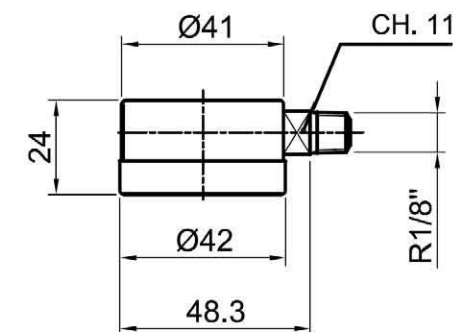
Part Number	Style	Type	Function	Thread	Rating (bar)	Suits Filter
V	Gauge	Visual	Suction	1/4" BSP	20 KPA	SF2-250 & SF2-500 SERIES



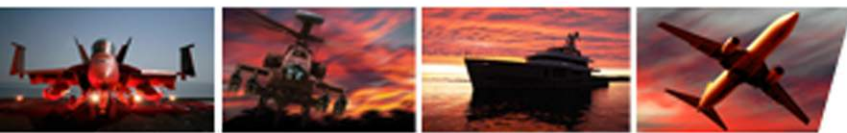
Dimensions - V1

Visual Series

Part Number	Style	Type	Function	Thread	Rating (bar)	Suits Filter
V1	Gauge	Visual	Colour Coded	1/8" BSP	0-6	MPF, MPH



Content is subject to change without notice. Please refer to our website for the most current product information.
All filter housings are supplied **without** elements or indicators. Please order housings, elements and indicators as separate components.

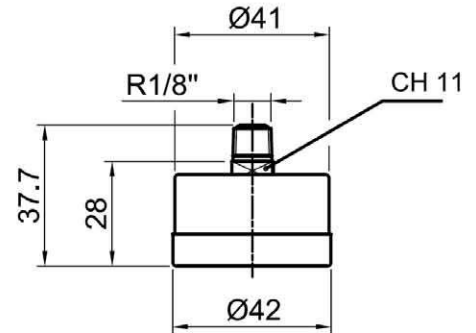


INDICATORS

Clogging & Differential (cont.)



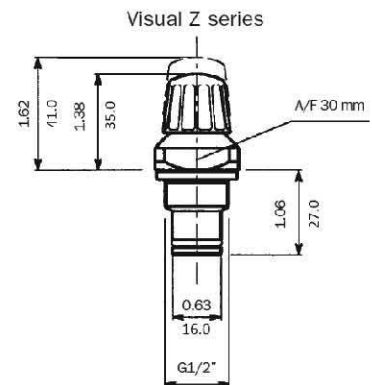
Dimensions - VS & VT



Visual Series

Part Number	Style	Type	Function	Thread	Rating (bar)	Suits Filter
VS	Gauge	Visual	Suction	1/8" BSP	0 - 76 cm Hg	MPS-(050, 070, 100, 200, 300)
VT			Colour Coded		0 - 3	MPH

Dimensions - Z



Visual Series

Part Number	Style	Type	Function	Thread	Rating (bar)	Suits Filter
Z1	Popup	Visual	Differential	1/2" BSP	1.2	MPS-(051, 071, 101)

Content is subject to change without notice. Please refer to our website for the most current product information.
All filter housings are supplied **without** elements or indicators. Please order housings, elements and indicators as separate components.



MP FILTRI PARTICLE COUNTERS

ICM Series



Features

- Measures and displays particulate contamination, moisture and temperature levels in various hydraulic fluids.
- 8 channel contamination measurement and display.
- Moisture and temperature sensing.
- Data logging and 4000 test result memory.
- Adjustable test times can be set from 10 to 3600 seconds allowing flexibility to test and record at specific intervals.

- Specifically designed to be mounted in-line directly into systems.
- Relay option allows for switching and customisable alarm settings.

Applications

- Diesel systems, test rigs, lubrication systems, mining / heavy engineering (ATEX version).

Performance

Flow Rating	20 - 400 ml / min
Max. Working Pressure	400 bar
Temperature Range	- 25 C to + 80 C
Viscosity Range	Up to 1000 cst
Construction	Aluminium
Fluid Compatibility	Mineral & synthetic oils, water based emulsions, Phosphate esters etc.
Analysis Range/ Formats	ISO 4406, NAS 1638 & AS 4059
Memory Storage	4000 tests

HOW TO ORDER

Example: ICM-W-M-K-R-A-G1

ICM W M K R A G1

ICM

Can be used as a stand alone product or can be controlled by an external PC, PLC or the ICM-RDU Remote Display Unit. 3m control cable supplied as standard.

Water Option

- W Water and Temperature Sensing
- O No Water Temperature Sensing

* For high frequency pressure pulse applications contact MP Filtri.

Fluid Option

- M Mineral Oil Fluid Compatibility
- N Offshore and selected water based fluids*
- S Phosphate Ester and aggressive fluids*

* Consult MP Filtri. Note: N and S models are supplied with anodised outer case and are not available with water sensing option.

Keypad Option

- K Keypad - Adds 6 key keypad and 128x64 pixel back-lit graphical display.
- O No Keypad

Relay Option

- R Relays
- O No Relays

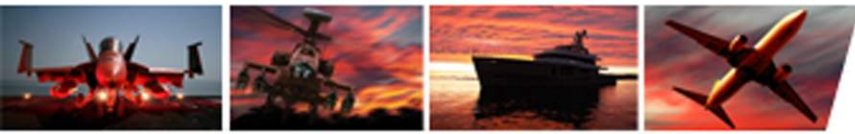
Finish

- A Anodised
- O Painted

Port Options

- G1 ICM complete with minimess connections M16x2
- G3 1/4" BSp Ports
- G4 7/16" UNF

Content is subject to change without notice. Please refer to our website for the most current product information. All filter housings are supplied **without** elements or indicators. Please order housings, elements and indicators as separate components.



ComarFluidPower
Hydraulic Supplies
Division : 01902 383000



MPFILTRI[®] PARTICLE COUNTERS

ICM Series

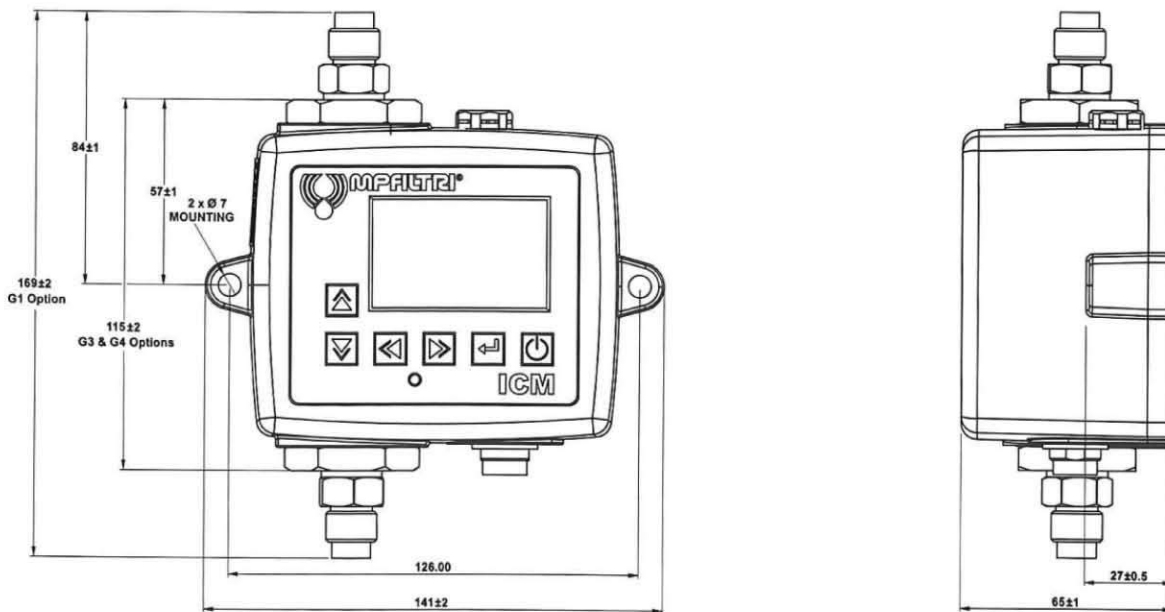


Accessories

Two auxillary communication devices are available to order with the ICM:

- 1) USBi: A USB interface which allows for communication via a laptop (RS485 to RS232 converter).
 - 2) ETHi: An ethernet device for remote access via a network hub.
- Both devices can transport power to the ICM/RDU electrical circuit using a DC power adapter. The USBi has the additional benefit of supplying power via the USB cable directly. They also come with a DC power adapter and a 3m twisted pair cable.

Dimensions



Accessories



USBi

ETHi

Content is subject to change without notice. Please refer to our website for the most current product information.
All filter housings are supplied **without** elements or indicators. Please order housings, elements and indicators as separate components.